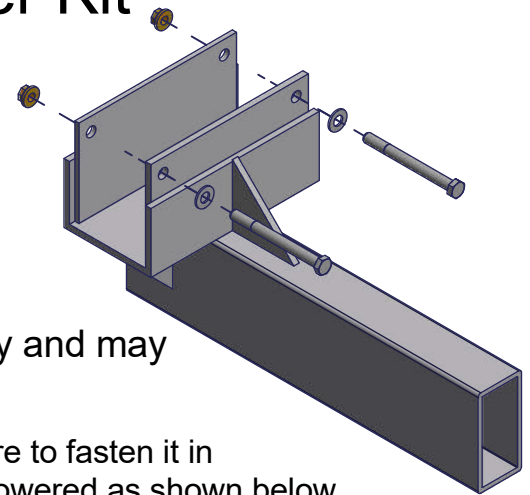


12k Hydraulic Bow Guide Adapter Kit

Instructions

Part #: 1028581

Parts List			
ITEM	QTY	PART NUMBER	DESCRIPTION
1	2	1028578	Wdmt 12k Hydraulic Bow Guide Adapter
2	4	1001802	Nut Flange 3/8-16 Brass
3	4	1002599	Washer Flat 3/8 SS
4	4	1002438	Bolt Hex 3/8-16 x 4.0 SS 304



Failure to follow instructions may result in personal injury and may invalidate the applicable warranty.

Step 1. Determine where adapter kit will be placed on lift. Be sure to fasten it in a location that will not cause interference when lift is completely lowered as shown below. It is possible to place it in a location that may pinch between the rack side and I-Beam when lift is lowered.

Step 2. Once location of adapter weldments are determined, place weldments onto rack side from bottom up. Use the holes in the channel for a template to drill two 7/16" holes through the lift rack side. Be sure to measure from front end of rack side to adapter weldment location and set both sides equal.

Step 3. Place flat washers onto bolts and insert through holes in channels and rack side. Secure using 3/8 brass flange nuts.

Step 4. Attach bow guide to adapter kit following the bow guide instructions. Adjust as necessary.

