

Bow Guide 7k Vertical

Instructions

Part #: 1026644

Failure to follow instructions may result in personal injury and may invalidate the applicable warranty.

Step 1. Slide coupler tube onto side tube about 6" and secure by inserting 3/8 nut into nut clip on coupler tube and secure with 3/8 x 1-1/4 hex bolt. Make sure nut clips will face to the outside of the lift.

Step 2. Slide bow guide into coupler tube and secure with 3/8 nut and 3/8 x 1-1/4 hex bolts.

Step 3. Attach the bow stop mount base to the front rack. The channel should face the inside of the lift as shown. Clamp the base and accessory pocket flat side around the rack beam and use four 3/8 x 1-1/4 hex bolts and four 3/8 flange nuts. Leave bolts loose until fully assembled. Space brackets about 69" apart and center on lift.

Step 4. Attach 6" channel to top of bow guide base using 1/2 x 7 hex bolt and 1/2 nyloc nut as shown.

Step 5. Attach chains to bottom of bow guide base using 1/2 x 6 hex bolt and 1/2 nyloc nut. Attach other end of chain to 6" channel using 1/2 x 7 hex bolt and nyloc nut. Depending on what chain link you use to attach will change the angle of the bow guide.

Step 6. Attach bow guide side tubes to 6" channels, secure using 3/8 U-Bolts and 3/8 flange nuts. Before tightening hardware determine the distance away from the front of your lift you want the bow guide to be, it can be made shorter or longer depending on where you position the bow guide side tubes on the 6" channels. The angle can be adjusted by adjusting which link of chain you use. Tighten all hardware.

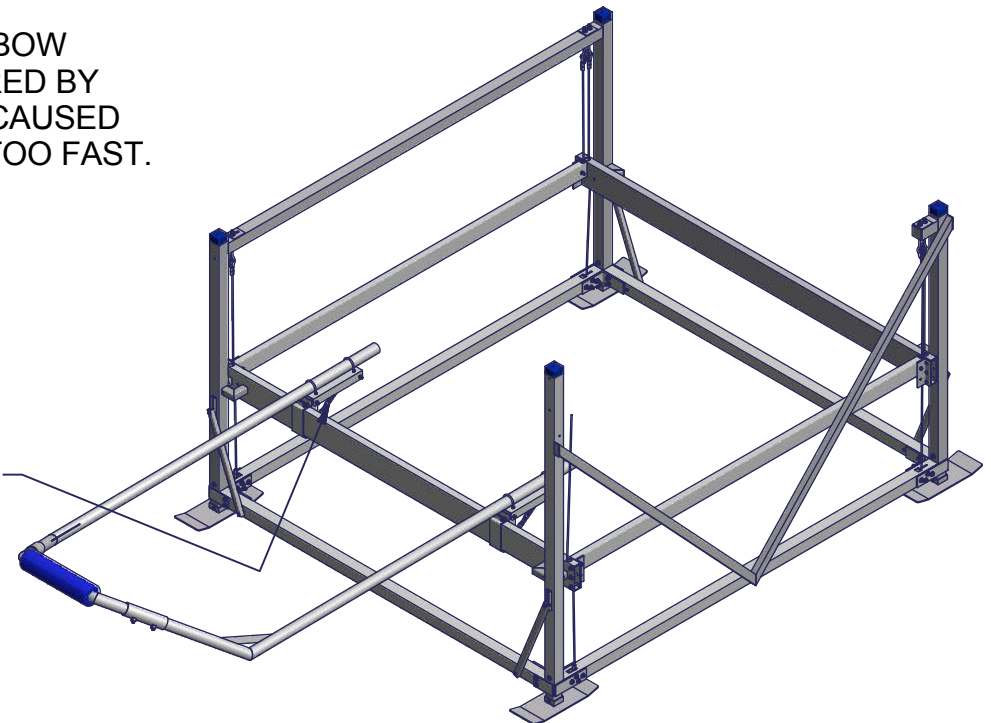
Step 7. Slide foam bumper onto bow and cover with vinyl cover.

Note: If your bow guide side tubes are too long and could interfere with lift operation or could damage your boat you will need to make them shorter by cutting them off.

Note: Maximum extension of the bow guide is 129" from the end of the bow guide to the u-bolt on the bow guide channel.

NOTICE DAMAGE TO LIFT, BOW GUIDE OR BOAT ARE NOT COVERED BY THE WARRANTY IF DAMAGE WAS CAUSED FROM HITTING THE BOW GUIDE TOO FAST.

To adjust the height of the bow guide change to a different chain link to adjust height up or down.



BOAT LIFT ACCESSORIES

Parts List			
ITEM	QTY	PART NUMBER	DESCRIPTION
1	2	1026642	Wdmt Bow Stop Mount Base 7K Vertical
2	2	1005640	701066 Accessory Pocket Flat Side
3	1	1024567 - 1024568	Foam Bumper 6.0 OD x 2.875 ID x 24 with Blue Cover
4	2	1024562	Wdmt Bow Guide Coupler Tube
5	1	1024559	Wdmt Bow Guide - Bow
6	2	1024555	Wdmt Bow Guide Side Tube
7	2	1024566	Prt Channel 6x.17x2.5x.29x18.0-Bow Guide
8	4	1024571	Bolt-U 3/8 x 3.625x3.0x3.625-For 3" OD Pipe
9	4	1001803	Nut Hex 3/8-16 Brass
10	12	1002422	Bolt Hex 3/8-16 x 1.25 SS 304
11	4	1002393	Bolt Hex 1/2-13 x 7 SS 304
12	6	1001795	Nut Nyloc 1/2-13 Brass
13	2	1002391	Bolt Hex 1/2-13 x 6.0 304SS
14	16	1001802	Nut Flange 3/8-16 Brass
15	2	1024570	Chain Link 3/16 Gr 30 Galv

