

## Lift Leg Battery Box Tray

### Instructions

Part #: 1024401

| Parts List |     |             |   |
|------------|-----|-------------|---|
| ITEM       | QTY | PART NUMBER | DESCRIPTION                               |
| 1          | 1   | 1024400     | Wdmt - Lift Leg Battery Box Tray          |
| -          | 1   | 1024402     | Bolt Bag - Lift Leg Battery Box Tray      |
| 2          | 1   | 1021908     | Cap Press-In 1.125x1.625 Silver No Logo   |
| 3          | 1   | 1024393     | Battery Box Tray with Strap - 7.8125 x 14 |
| 4          | 8   | 1002608     | Washer Flat 5/16 SS                       |
| 5          | 4   | 1002453     | Bolt Hex 5/16-18 X 1.0 SS                 |
| 6          | 4   | 1001807     | Nut Hex 5/16-18 Brass                     |
| 7          | 2   | 1014218     | Screw Self-Drilling Hex Head 1/4 x 1 SS   |
| 8          | 2   | 1014564     | Hose Clamp 72 Dia (not shown)             |

Failure to follow instructions may result in personal injury and may invalidate the applicable warranty.

**Step 1.** Determine the location for your battery making sure the power cable will be long enough to reach and the battery tray will not interfere with your dock or your lift.

**Step 2.** Set the hold down battery box tray on the weldment lift/dock leg tray and secure as shown using four 5/16 x 1 hex bolts, eight washers and four nuts.

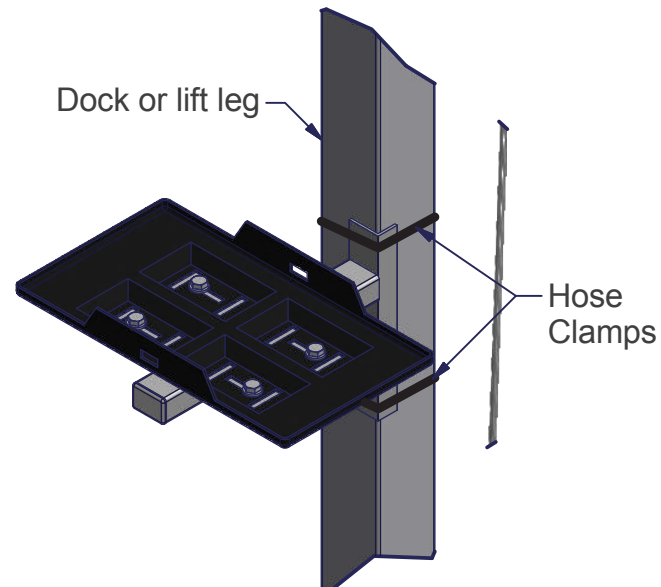
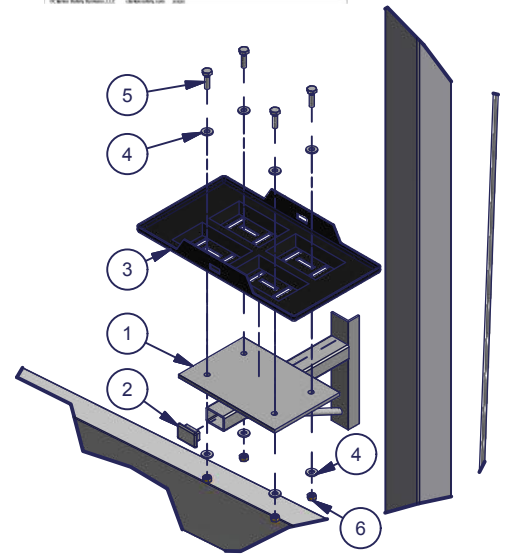
**Step 3.** Take the hose clamps and open them by un-screwing them and wrap them around your lift or dock leg.

**Step 4.** Set the weldment lift / dock leg tray in the desired position on your lift or dock leg. Position the hose clamps so there will be one clamp above the tube and one below (top and bottom).

**Step 5.** Tighten the hose clamps, make sure to position the hose clamps so the tightening screw will not interfere with the operation of your lift.

**Step 6.** Set your battery on the hold down battery tray (DO NOT DROP onto tray) and secure with nylon strap.

**Note:** You can also use the  $\frac{1}{4}$  x 1" Self Drilling Screws to secure the battery tray to the lift / dock leg, as long as the screws will not interfere with the operation of the lift or dock.



**CAUTION** DO NOT use the battery tray for a step.