

LakeView Rhino Bench(Off Deck)

Instructions

Part #: 1022994 - Tan

Part #: 1029034 - Gray

Parts List			
ITEM	QTY	PART NUMBER	DESCRIPTION
1	2	1022999	Bench Poly Plank Tan
1	2	1029031	Bench Poly Plank Grey
2	2	1013087	Off-Deck Lakeview Bench Frame
--	1	1013090	Bolt Bag Lakeview Bench
3	8	1002424	3/8" x 2" Hex Bolt
4	8	1002601	Washer Fender 3/8 x 1.5 SS
5	4	1000986	Plastic Push-In Cap

Failure to follow instructions may result in personal injury and may invalidate the applicable warranty.

Note: LakeView Rhino Bench will be attached to one of four different type of Accessory Dock Connectors in order to be attached to your dock. Below is a list of the four different types of docks and the required bracket.

Dock Type	Bracket Part Number
RS4 Dock	1006706
RS7 Dock	1006708
TS9 Dock	1006730
Poly Dock	1006609

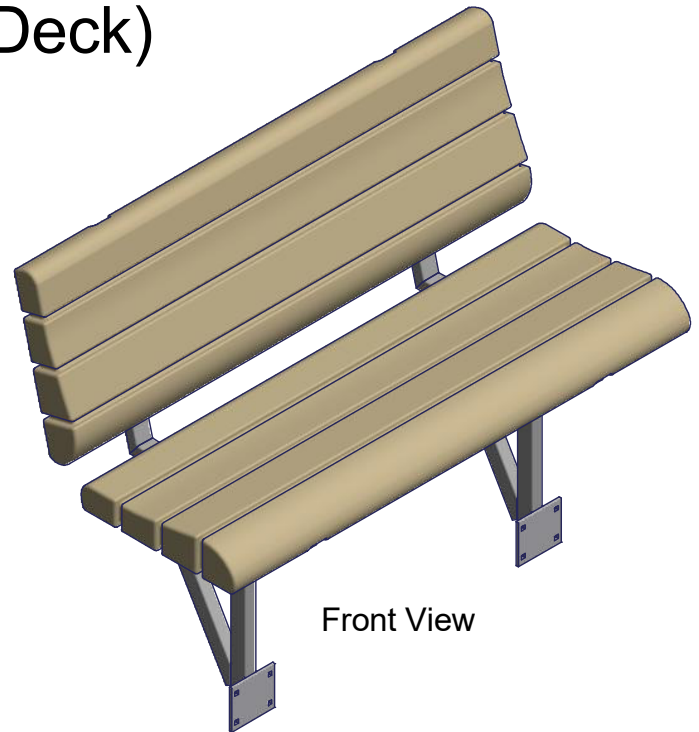
Step 1. Attach off-deck bench frames to bench poly planks using 3/8" fender washers and 3/8" x 2" hex bolts. Do not over tighten bolts.

Note: Make sure to attach bench poly planks in the proper orientation - as shown.

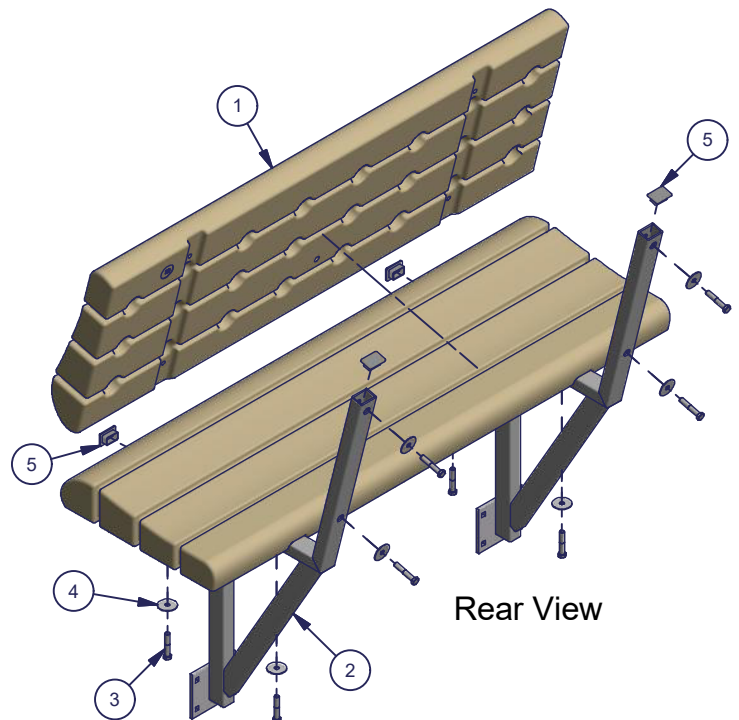
Step 2. Insert plastic push-in caps into off-deck bench frames as shown.

Step 3. Attach off-deck bench frames to dock accessory connectors (sold separately) according to accessory connector instructions.

Step 4. Attach off-deck bench and accessory connectors to dock frame according to accessory connector instructions.



Front View



Rear View