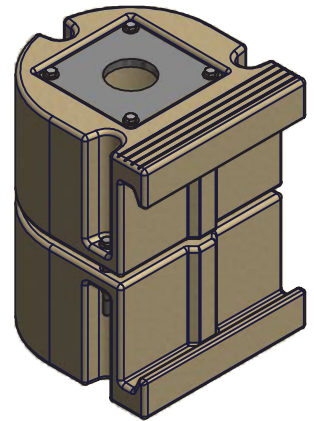


## Light Duty PolyDock Pipe Bracket

### Instructions

Part #: 1022953

Parts List			
ITEM	QTY	PART NUMBER	DESCRIPTION
1	2	1022996	Light Duty Pipe Bracket
-	1	1006640	Bolt Bag Light Duty Pipe Bracket
2	1	1001986	Pile Guide Wear Plate (2-7/8" HOLE)
3	3	1002442	Bolt Hex 3/8-16 x 4.5 Full Thread SS 304
4	1	1004678	Rubber Spacer 1" OD x 7/16" ID x 5/8"
5	10	1002599	Washer Flat 3/8 SS
6	4	1002419	Bolt Hex 3/8-16 x 1.0 SS 304
7	3	1001805	Nut Nyloc 3/8-16 Brass



Failure to follow instructions may result in personal injury and may invalidate the applicable warranty.

**Step 1.** Attach pile guide wear plate to one light duty pipe bracket using four 3/8" washers and four 3/8" x 1" bolts. DO NOT OVER TIGHTEN.

**Step 2.** Pre-assemble pipe bracket by stacking the two pipe brackets together place pipe bracket with wear plate on top, bolt together using two 3/8" washers, one 3/8" x 4-1/2" hex bolt and one 3/8" nylock nut in three places. Place rubber spacer between pipe brackets on hex bolt in outer position as shown. Only hand tighten bolts at this time.

**Step 3.** Slide pipe bracket into desired position making sure pile guide wear plate is on top and to line up the vertical channel on the pipe bracket with the opposing channel on the shoreport or poly dock.

**Step 4.** Tighten pipe bracket bolts using 9/16" wrench and socket.

**Note:** The hole in the wear plates may not allow an auger tip (sold separately PN: 1026396) through the plates. If this occurs you may have to place the pipe bracket over the pipe before attaching to the dock.

