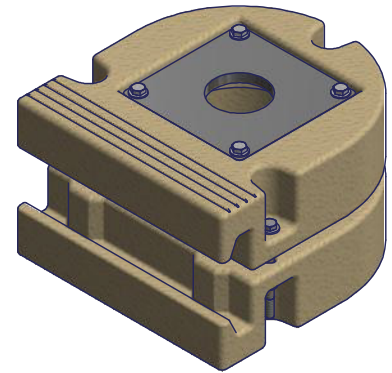


ShorePort Rear Pipe Bracket

Instructions

Part #: 1022951

Parts List			
ITEM	QTY	PART NUMBER	DESCRIPTION
1	2	1022997	ShorePort Rear Pipe Bracket
-	1	1006640	Bolt Bag Polydock Light Duty Pipe Bracket
2	1	1004678	Rubber Spacer 1" OD x 7/16" ID x 5/8"
3	1	1001986	PILE GUIDE WEAR PLATE (2-7/8" HOLE)
4	10	1002599	Washer Flat 3/8 SS
5	3	1002442	Bolt Hex 3/8-16 x 4.5 Full Thread SS 304
6	3	1001805	Nut Nyloc 3/8-16 Brass
7	4	1002419	Bolt Hex 3/8-16 x 1.0 SS 304



Failure to follow instructions may result in personal injury and may invalidate the applicable warranty.

Step 1. Attach pile guide wear plate to one ShorePort rear pipe bracket using four 3/8" flat pipe washers and four 3/8" x 1" hex bolts. **DO NOT OVER TIGHTEN.**

Step 2. Pre-assemble pipe bracket by stacking the two pipe brackets together place pipe bracket with wear plate on top, bolt together using two 3/8" flat washers, one 3/8" x 4-1/2" hex bolt and one 3/8" nylock nut in three places. Place rubber spacer between pipe brackets on hex bolt in outer position as shown. Only hand tighten bolts at this time.

Step 3. Slide pipe bracket on side rear portion of ShorePort. Make sure pile guide wear plate is on top and to line up the vertical channels on the pipe bracket with the opposing channels on the ShorePort.

Step 4. Tighten pipe bracket bolts using 9/16" wrench and socket. **DO NOT OVER TIGHTEN.**

Note: The hole in the wear plates may not allow an auger tip (sold separately PN: 1026396) through the plates. If this occurs you may have to place the pipe bracket over the pipe before attaching to the dock.

