

Lift Assist Tool Instructions

Part #: 1022117

Parts List			
ITEM	QTY	PART NUMBER	DESCRIPTION
1	1	1022120	Handle Wdmt
2	1	1022118	Base Wdmt
3	1	1022119	Top Wdmt
4	1	1022121	Splice Tube
5	1	1022123	J-Hook
6	1	1024877	Winch Dutton with Handle
-	1	1022122	Bolt Bag - Lift Assist Tool
7	1	1020844	Sheave 3.5 Nylon
8	2	1002427	Bolt Hex 3/8-16 x 2.5 SS
9	4	1001802	Nut Flange 3/8-16 Brass
10	1	1002379	Bolt Hex 1/2-13 x 2.0 SS
11	2	1002565	Washer Flat 1/2 SS
12	2	1001795	Nut Nyloc 1/2-13 Brass
-	10	1002466	Rope Nylon Solid Braided 3/8
13	1	1002383	Bolt Hex 1/2-13 x 3.5 SS
14	2	1001965	Carriage Bolt 3/8 x 5.0 SS

Failure to follow instructions may result in personal injury and may invalidate the applicable warranty.

Step 1. Slide splice tube and spacer into lift assist tool base and secure with a 3/8 x 2-1/2 hex bolt and a 3/8 flange nut.

Step 2. Slide lift assist tool top onto splice tube and secure with a 3/8 x 2-1/2 hex bolt and a 3/8 flange nut.

Step 3. Attach winch to top wdmt using two 3/8 x 5 carriage bolts and two 3/8 flange nuts.

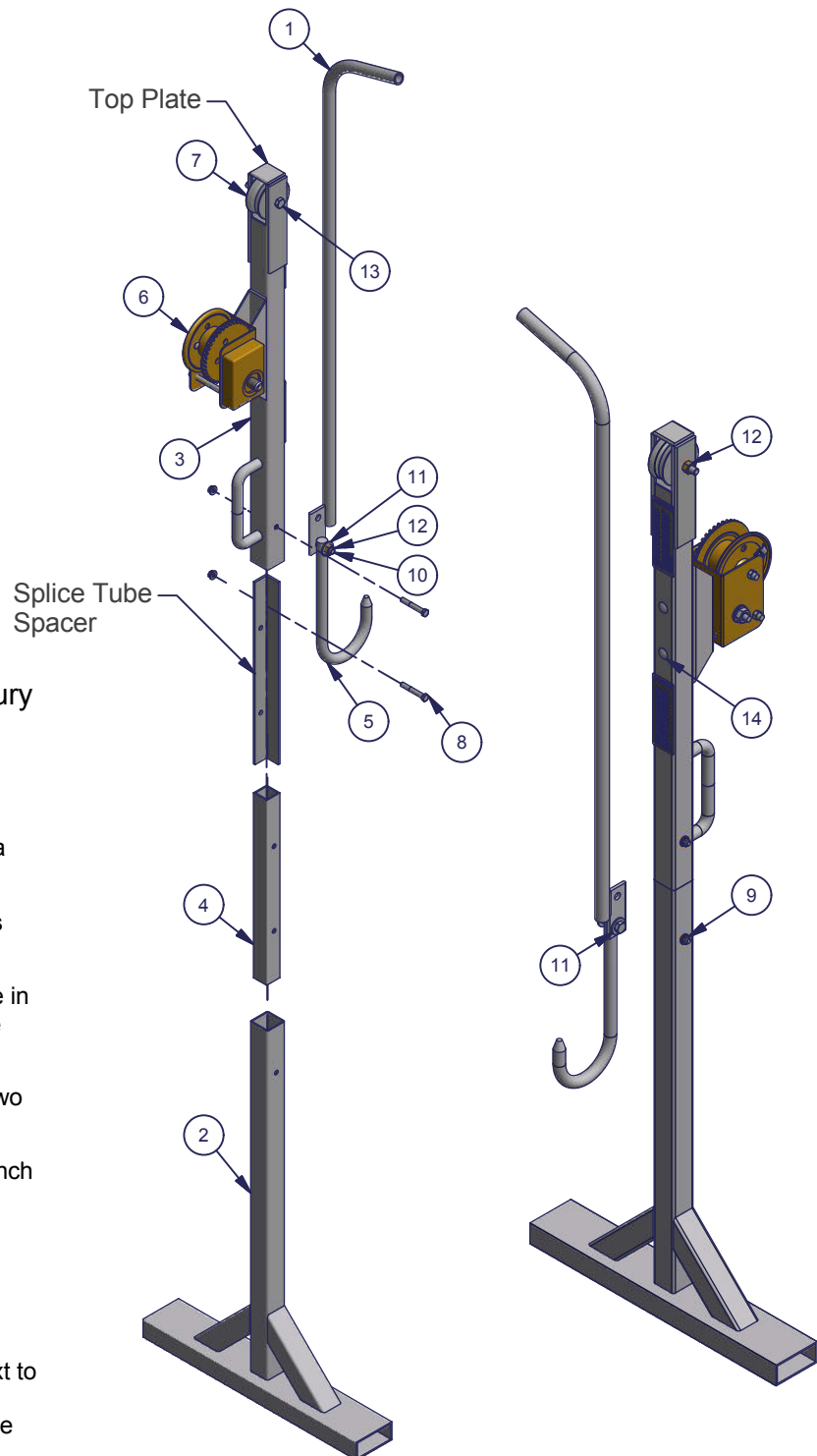
Step 4. Attach sheave into top wdmt by inserting it into the space in the top and secure in place using one 1/2 x 3-1/2 hex bolt and one 1/2 nylock nut (Do not overtighten).

Step 5. Attach J-Hook to handle wdmt using a 1/2 x 2 hex bolt, two 1/2 flat washers, and two 1/2 nylock nut (Do not overtighten).

Step 6. Attach rope to winch by inserting rope through hole in winch hub from the inside to the outside and tie a knot on the outside making sure rope will not pull through hole in winch.

Step 7. Take the other end of the rope and insert through the lift assist tool top tube between the sheave and top plate. Tie rope to hole in lift assist tool handle make sure it is secure.

How to Use: Remove boat from boat lift. Set the lift assist tool next to the foot pad you would like to adjust. Next take the lift assist tool handle and using it slide the J-Hook around the bottom beam of the of the boat lift. Make sure the base of the lift assist tool is secure. Hold the lift assist tool in one hand and turn the winch handle to raise the lift slowly. If lift is stuck in mud or sandy bottom clear away soil from around the foot pad. Use caution not to overload lift assist tool. Any other use will void warranty.



800lb. MAX LOAD - For Boat Lift Only!
Remove all obstructions from above and around foot pad. Lift Assist tool is NOT intended for lifting after settling has occurred. Lifting of a stuck Boat Lift can exceed the 800lb. max load and cause bodily injury or death.

▲WARNING

800lb. MAX LOAD - For Boat Lift Only!
Remove boat from boat lift before using Lift Assist Tool.
Remain clear from the boat lift while lift is raised with lift assist tool. The lift could fall on you causing bodily injury or death. Check condition of rope before use. Replace if worn.

▲WARNING