

Single Vertical PVC Guide-On Instructions

Part #: 1021985 - Straight Rack

Part #: 1022109 - Bent/V-Rack

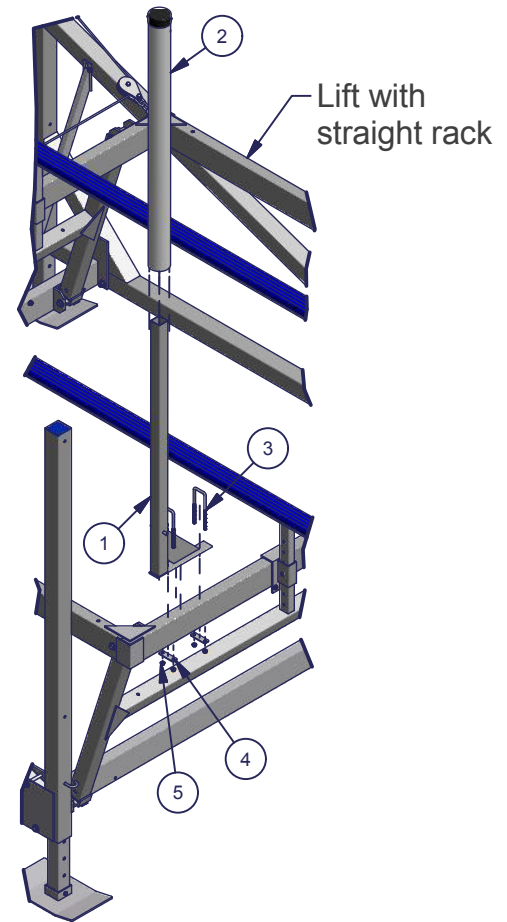
Parts List			
ITEM	QTY	PART NUMBER	DESCRIPTION
1	2	1021983	Weldment Single Vertical PVC Guide-On (Straight Rack)
1	2	1022110	Weldment Single Angled Vertical PVC Guide (V-Rack)
2	2	1021988	PVC Pipe 3" Sch 40 x 5' with Cap
-	1	1021984	Bolt Bag - Single Vertical PVC Guide-On
3	4	1021986	Bolt-U 3/8-16 x 2W x 7.0H SS with Backer Plate
4	4	--	U-Bolt Backer Plate
5	8	1001802	Nut Flange 3/8-16 Brass

Failure to follow instructions may result in personal injury and may invalidate the applicable warranty.

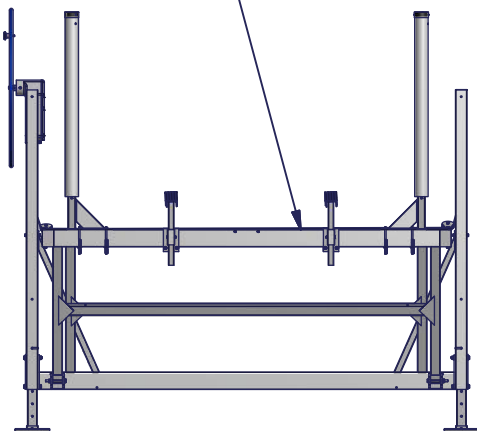
Step 1. Determine where you want to position your guide-ons. Guide-ons should be a couple inches wider than the widest portion of your boat.

Step 2. Secure weldment single vertical guide-on to lift rack using two 3/8 x 2 x 7 U-bolts, two U-bolt backer plates and four 3/8 flange nuts per guide on (as shown).

Step 3. Slide PVC pipe with cap onto weldment single vertical guide-on.



Straight Rack



Bent or V-Rack

