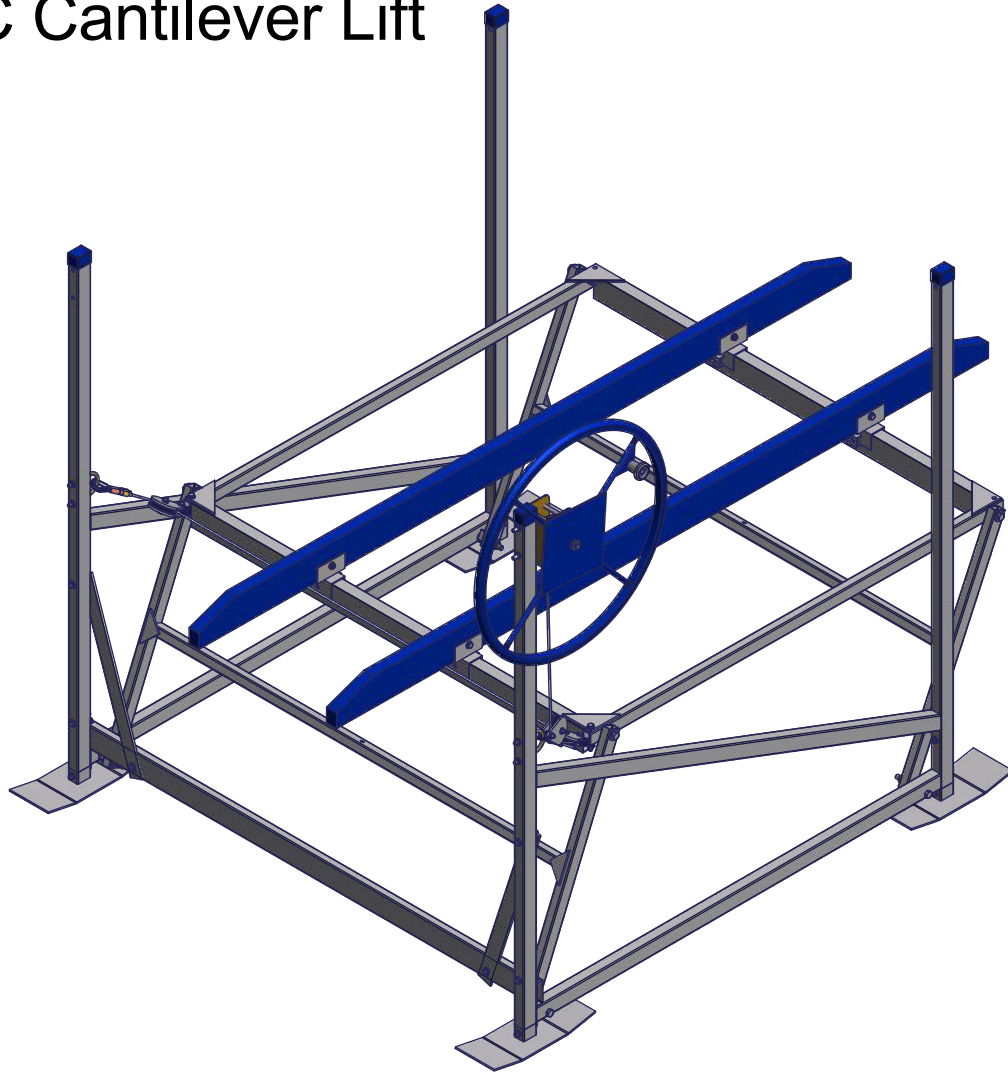


1200 PWC Cantilever Lift

Instructions

1200 lbs Capacity

Part #: 1017507



⚠️ WARNING - PUT SAFETY FIRST

1. NOT COMPLYING WITH THE PROCEDURES AND PRECAUTIONS OUTLINED IN THIS MANUAL MAY RESULT IN PERSONAL INJURY OR DEATH AND WILL INVALIDATE THE WARRANTY.
2. Before attempting to install or operate this hoist, study and fully understand the proper operating procedures and safety precautions outlined in this owner's manual.
3. Never exceed the recommended weight capacity of your lift. The lifted weight will include hull, engine, fuel, battery, and added accessories or gear. Weigh your fully loaded boat at a certified scale to be absolutely sure of the total weight.
4. To avoid personal injury or death do not allow anyone on, in or under the lift while operating.
5. If you have any questions about assembly, installation, operation or suitability of this product, contact an authorized dealer or ShoreMaster directly at 1-800-328-8945.

CANTILEVER BOAT LIFTS

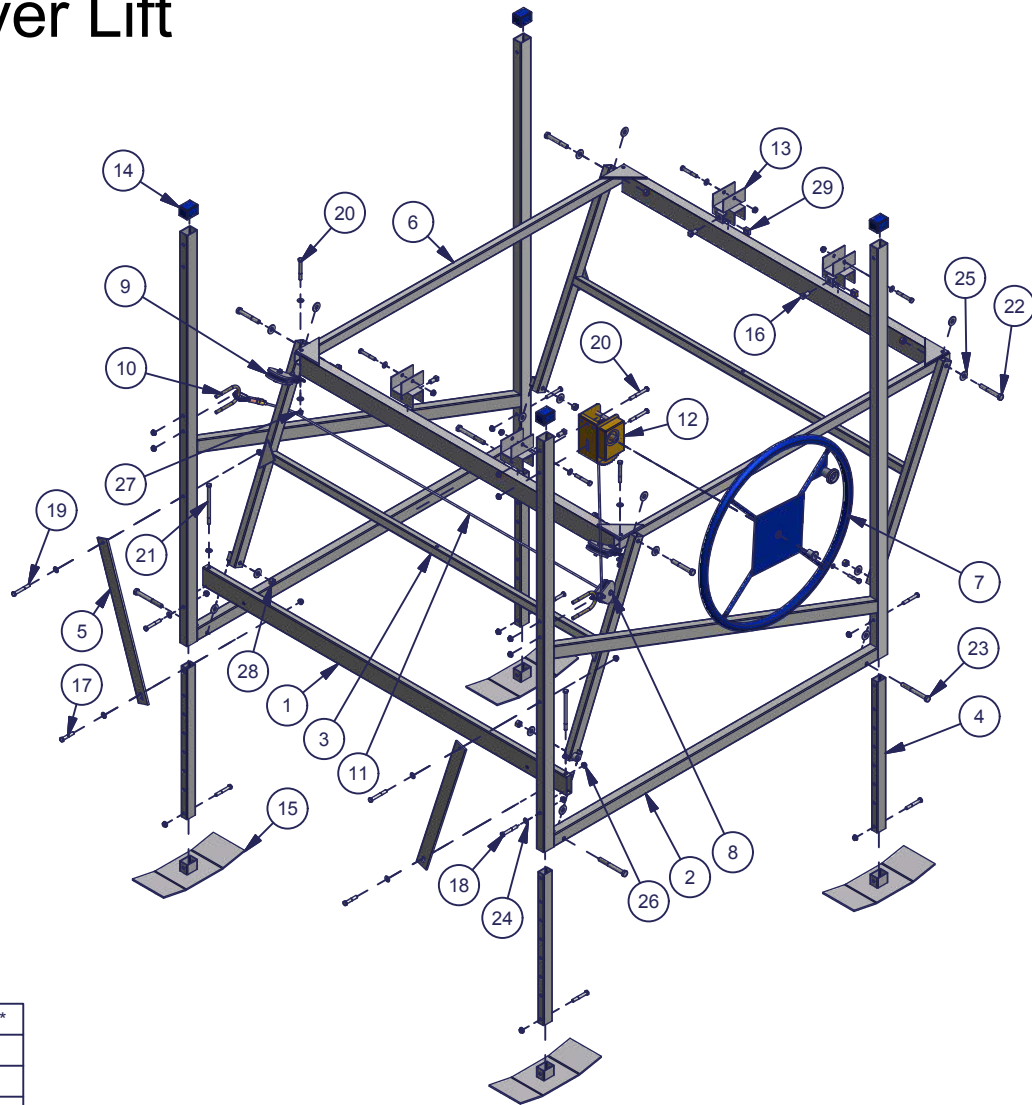
1200 PW Cantilever Lift

Part #: 1017507

1017508 - BUNDLE 1200 PW CANTILEVER LIFT			
ITEM	QTY	PART NUMBER	DESCRIPTION
1	1	1017514	BOTTOM BEAM
2	2	1017511	LIFT SIDE
3	2	1017512	I BEAM
4	4	1005091	LEG POST - B
5	2	1007385	SUPPORT BRACE
6	1	1017513	Rack
7	1	1007448	Wheel Small

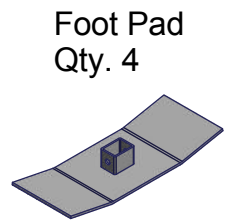
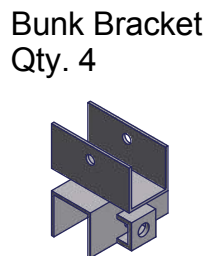
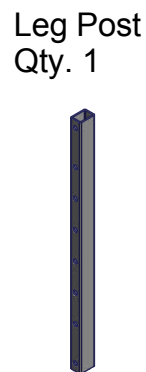
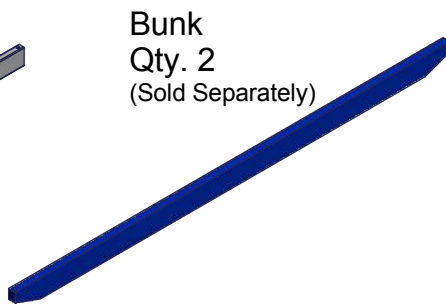
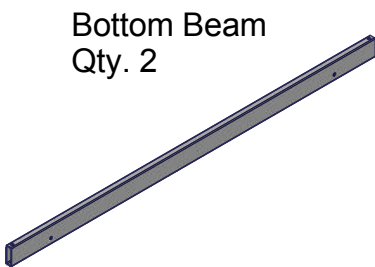
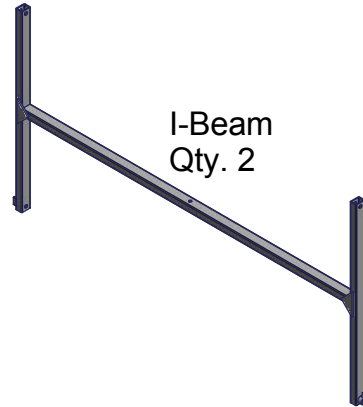
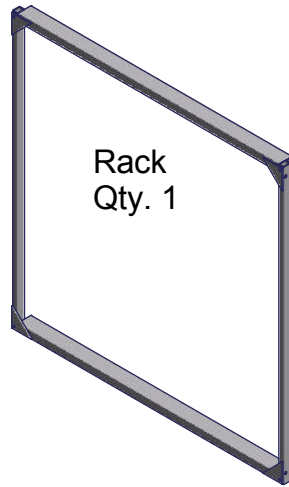
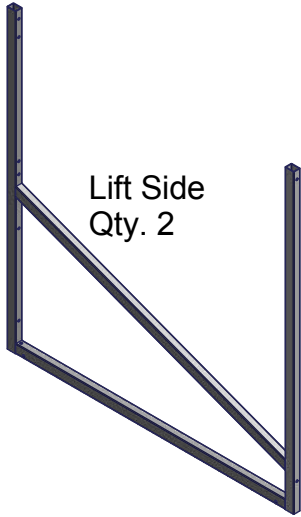
1017509 - 1200 PW WINCH/HARDWARE BOX			
ITEM	QTY	PART NUMBER	DESCRIPTION
8	1	1007224	Pulley with 2 Chain Links
9	2	1007225	Pulley with 3 Chain Links
10	2	1002372	U Bolt 3/8 x 4
11	1	1017522	Winch Cable
12	1	1002027	Winch 1202
13	4	1005604	Bunk Board Bracket
14	4	1001825	Blue Cap (#4) 1.42 x 1.92
-	1	1013137	Wheel Kit Spacer - DL
15	4	1007382	Foot Pad

1017510 - Bolt Bag 1200 PW - included in Hardware Box			
ITEM	QTY	PART NUMBER	DESCRIPTION
16	4	1002558	Set Screw 1/2 x 1.5
17	2	1002424	Bolt 3/8 x 2
18	12	1002427	Bolt 3/8 x 2.5
19	2	1002431	Bolt 3/8 x 2.75
20	4	1002432	Bolt 3/8 x 3.0
21	2	1002446	Bolt Hex 3/8 x 6
22	4	1002383	Bolt 1/2 x 3.5
23	4	1002385	Bolt 1/2 x 4.5
24	20	1002599	Washer Flat 3/8
25	16	1002565	Washer Flat 1/2
26	24	1001802	Nut Flange 3/8
27	2	1001803	Nut 3/8
28	8	1001795	Nut Nyloc 1/2
29	4	1001793	Nut Square 1/2

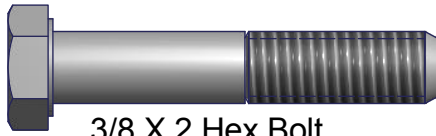


PULLEY PARTS		
QTY	PART NUMBER	DESCRIPTION
3	1007226	PULLEY COMPLETE LESS CHAIN
2	1003489	PULLEY SIDE PLATE (ALUM)
1	1007626	SHEAVE INSERT (STEEL)
2	1002367	BOLT 3/8 X 1.5
2	1001806	NUT JAM 3/8 NYLOC
1	1007688	PLASTIC SHEAVE ASSEMBLY 3.0
1	1006049	2 - LINK CHAIN 3/16 GALV.
2	1006050	3 - LINK CHAIN 3/16 GALV.

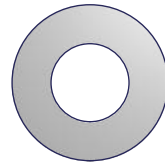
PARTS LIST



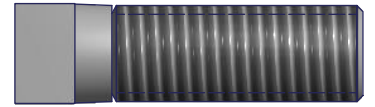
FASTENERS AND HARDWARE



3/8 X 2 Hex Bolt
Qty. 2



3/8 Flat Washer
Qty. 25



1/2 X 1-1/2 Set Screw
Qty. 4



3/8 X 2-1/2 Hex Bolt
Qty. 12



3/8 Flange Nut
Qty. 7



1/2 Square Nut
Qty. 4



3/8 X 2-3/4 Hex Bolt
Qty. 2



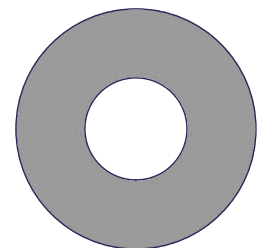
3/8 X 3 Hex Bolt
Qty. 4



1/2 Hex Nut
Qty. 8



1/2 X 3-1/2 Hex Bolt
Qty. 4



1/2 Flat Washer
Qty. 16



1/2 X 4-1/2 Hex Bolt
Qty. 4



3/8 X 6 Hex Bolt
Qty. 2

ASSEMBLY INSTRUCTIONS

⚠ WARNING - PUT SAFETY FIRST

NOT COMPLYING WITH THE PROCEDURES AND PRECAUTIONS OUTLINED IN THIS MANUAL MAY RESULT IN PERSONAL INJURY OR DEATH AND WILL INVALIDATE THE WARRANTY.

Your safety is the most important issue related to this product.

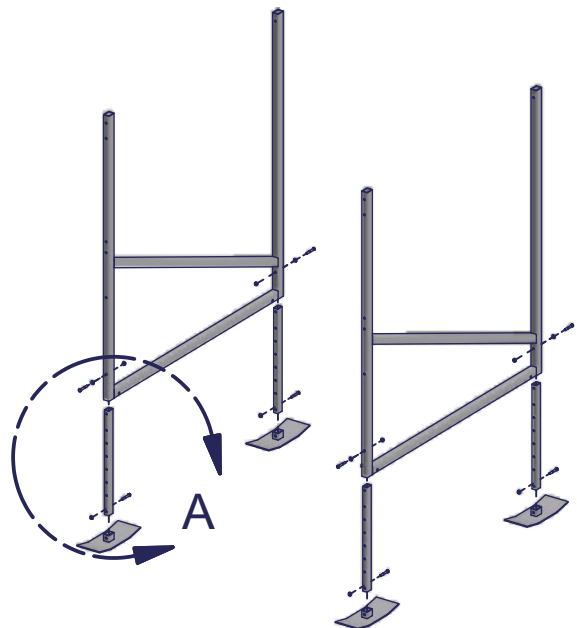
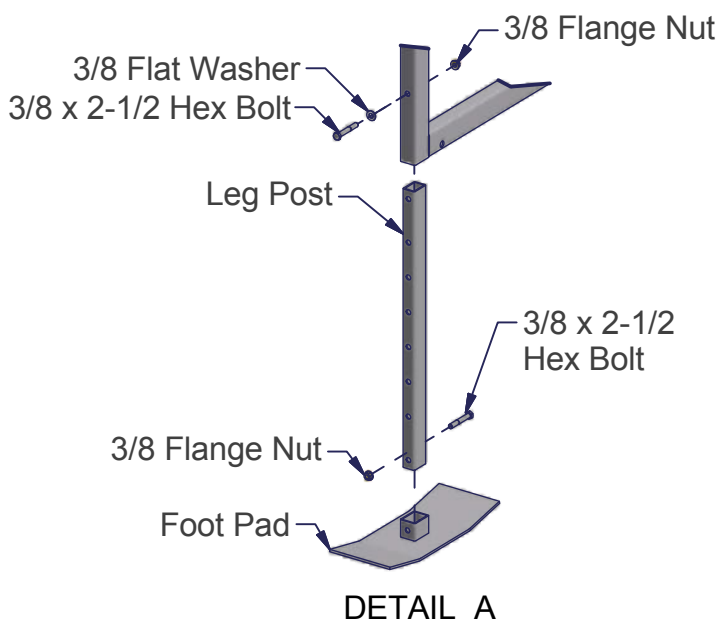
- Fully read and understand each step before proceeding with that step.
- Wear protective gloves, clothing and eyewear when assembling and installing the lift.
- Do not assemble, install or use this product if items are missing or damaged.
- Only finger tighten all fasteners until lift is completely assembled, then fully tighten all hardware.

For ease of assembly find a flat area with plenty of room to assemble lift. The following tools will be needed for assembling lift:

1. Two 9/16" Wrenches
2. Two 3/4" Wrenches
3. Measuring Tape
4. Sharp Knife or Razor
5. Tin Snips (to open bundle)

STEP 1

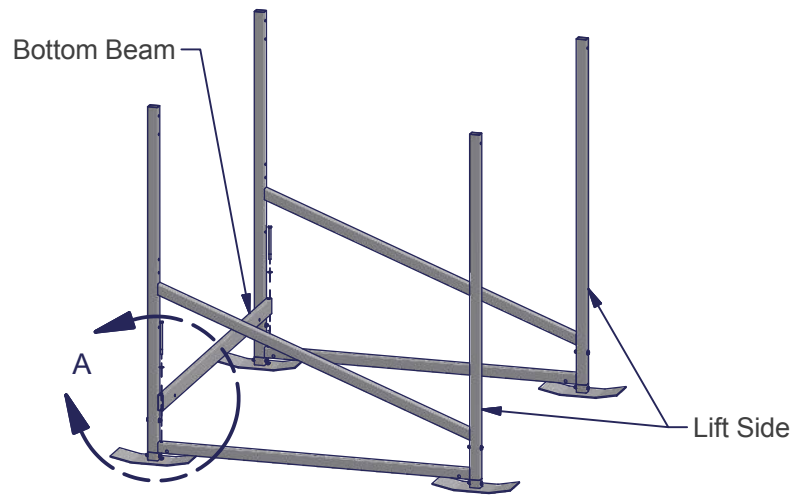
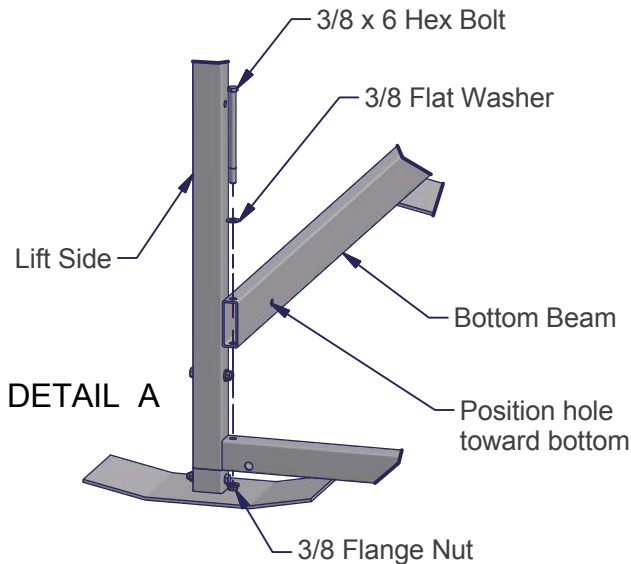
Insert all four Leg Posts into Foot Pads, secure using one 3/8 x 2-1/2 Hex Bolt and one 3/8 Flange Nut in each place - as shown. Insert all four Leg Posts into Lift Sides. At the desired height secure with one 3/8 x 2-1/2 Hex Bolt, one 3/8 Flat Washer, and one 3/8 Flange Nut in each place - as shown.



CANTILEVER BOAT LIFTS

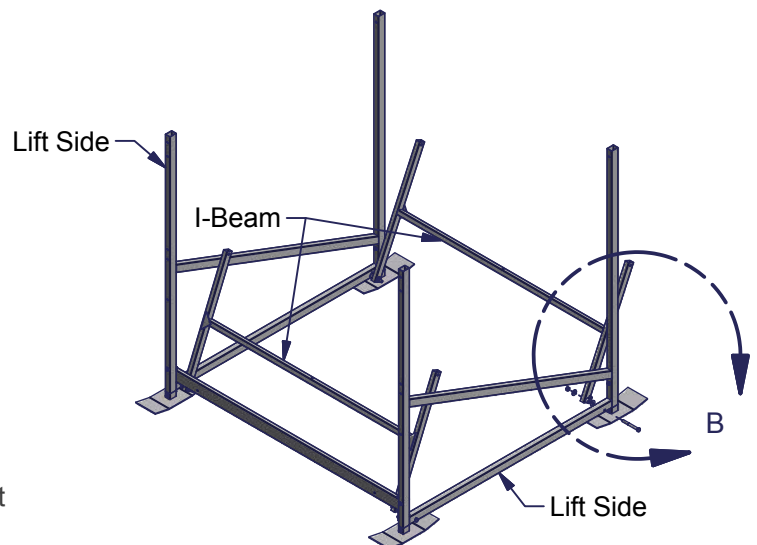
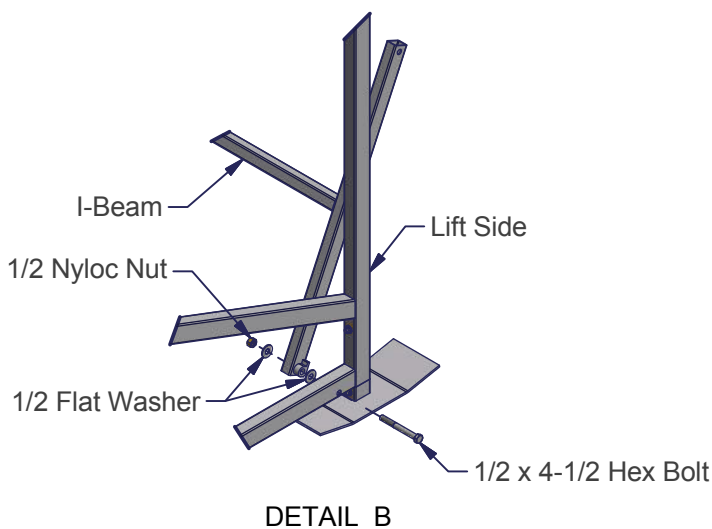
STEP 2

Place the Lift Sides five feet apart. Attach the Bottom Beam to each Lift Side with one 3/8 x 6 Hex Bolt, one 3/8 Flat Washer, and one 3/8 Flange Nut at each place - as shown. Position the Bottom Beam with the holes for the braces toward the bottom.



STEP 3

Attach each I-Beam to a Lift Side with one 1/2 x 4-1/2 Hex Bolt, two 1/2 Flat Washers, and one 1/2 Nyloc Nut in two places - as shown. The Spacer on the I-Beam should be positioned at the bottom. Place one 1/2 Flat Washer on the 1/2 Nyloc Nut side and one 1/2 Flat Washer between the I-Beam Spacer and the Lift Side - as shown in Detail "B". No Washer is used on the head of the 1/2 x 4-1/2 Hex Bolt. The Nuts should be on the inside of the Lift - as shown. Do not overtighten Nyloc Nuts. Do not reuse Nyloc Nuts. If a Nyloc Nut is removed it must be replaced with a new Nyloc Nut.

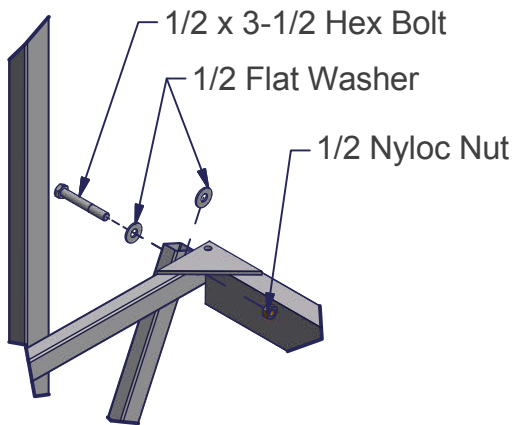


CANTILEVER BOAT LIFTS

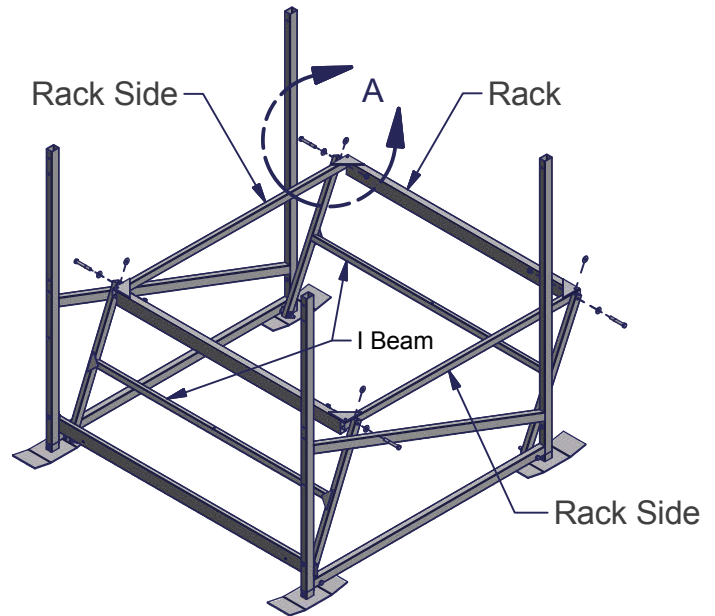
STEP 4

Attach each Rack Side to the I-Beams with one 1/2 x 3-1/2 Hex Bolt, two 1/2 Flat Washers, and one 1/2 Nyloc Nut in each corner - as shown. Place one 1/2 Flat Washer on the 1/2 x 3-1/2 Hex Bolt side and one 1/2 Flat Washer **between the Rack Side and the I Beam** - as shown. No Washer is used on the head of the 1/2 Nyloc Nut. The Nuts should be on the inside of the Lift - as shown.

Note: Do not overtighten Nyloc Nuts. Do not reuse Nyloc Nuts. If a Nyloc Nut is removed it must be replaced with a new Nyloc Nut.

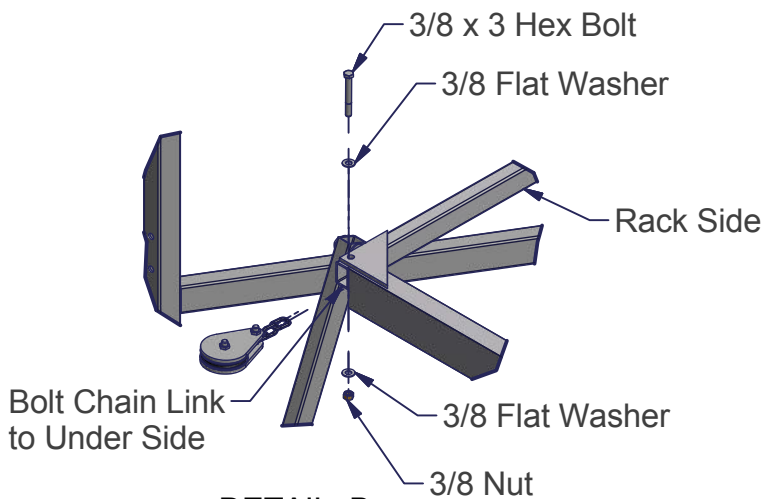


DETAIL A

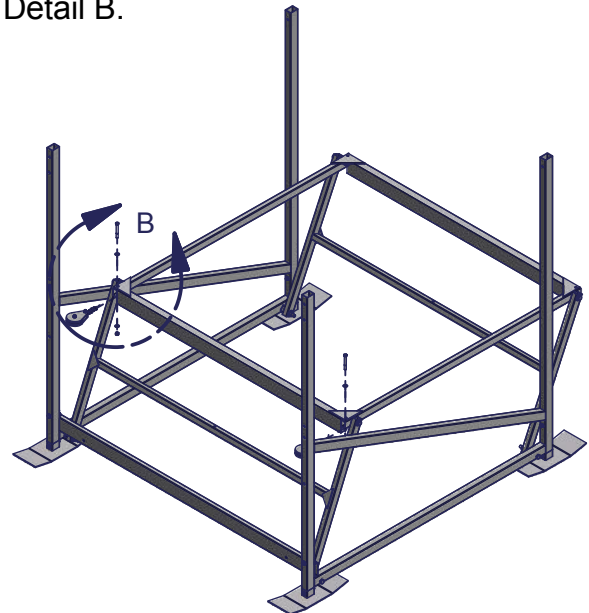


STEP 5

Attach one Pulley with 3 Chain Links to the bottom of each Rack Side and secure with one 3/8 x 3 Hex Bolt, two 3/8 Flat Washers, and one 3/8 Nut - as shown in Detail B.



DETAIL B

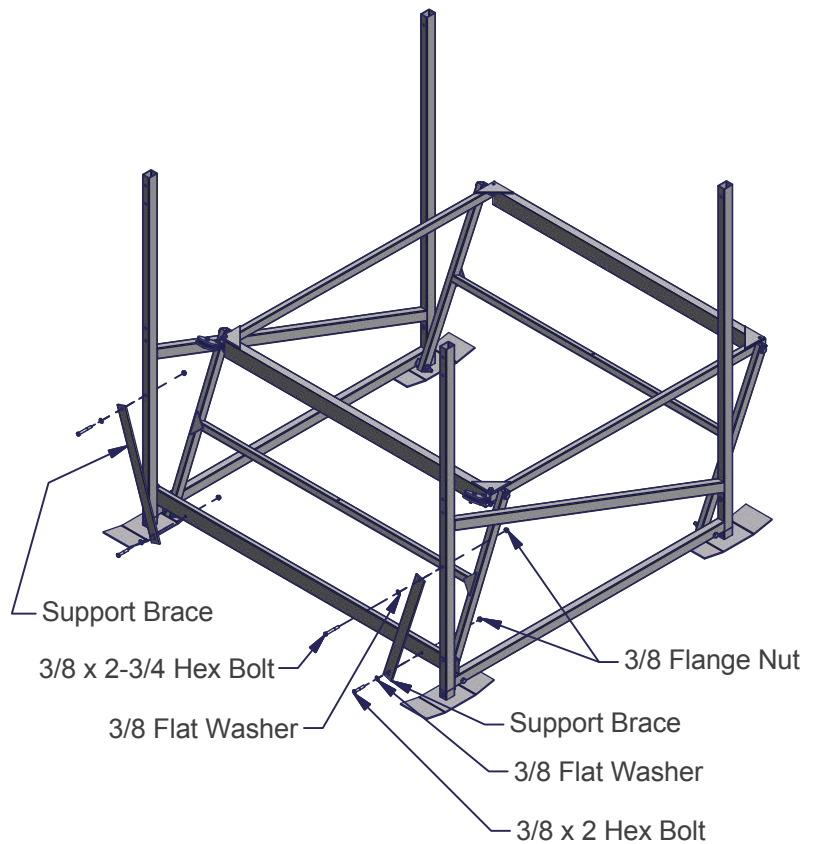


CANTILEVER BOAT LIFTS

STEP 6

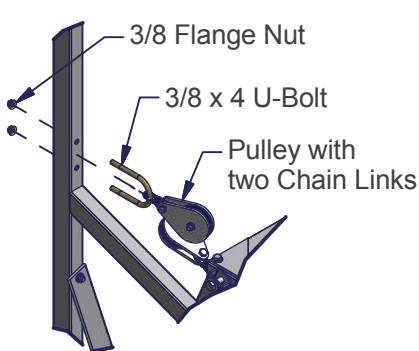
Attach each Support Brace to the Bottom Beam and one Lift Side in two places - as shown. Attach the hole side of the Support Brace to one Lift Side with one 3/8 x 2-3/4 Hex Bolt, one 3/8 Flat Washer, and one 3/8 Flange Nut. Attach the Slot side of the Support Brace to the Bottom Beam with one 3/8 x 2 Hex Bolt, one 3/8 Flat Washer, and one 3/8 Flange Nut.

Note: The Support Brace should attach to the outside face of the Bottom Beam and the inside face of the Lift Side.

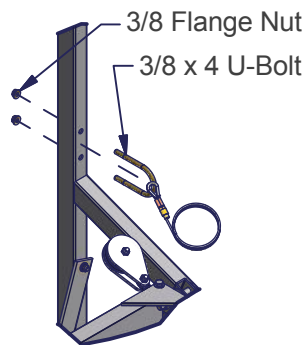


STEP 7

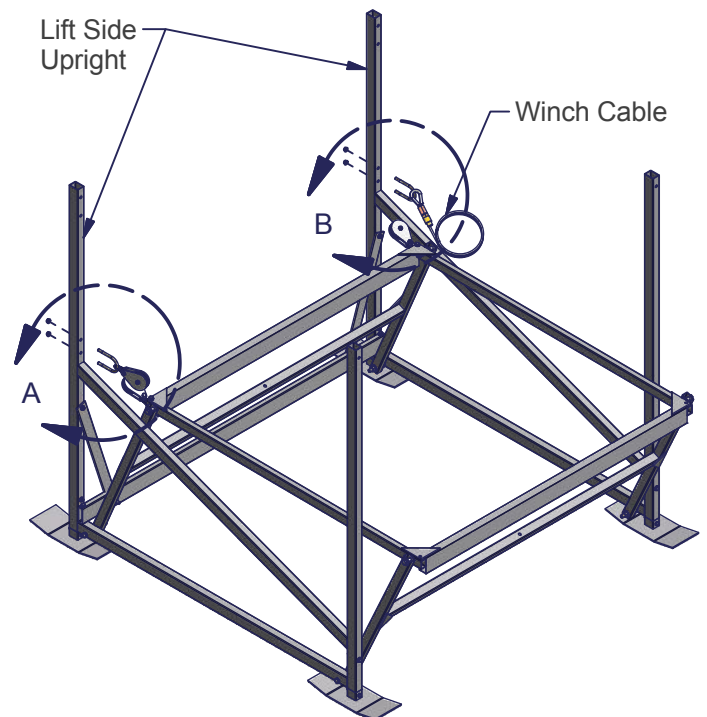
On the side of the lift that the Winch will be attached, slide the Pulley with two Chain Links onto a 3/8 x 4 U-Bolt and insert the 3/8 x 4 U-Bolt through the two holes on the Lift Side Upright- as shown in Detail "A". On the opposite side slide the Winch Cable onto a 3/8 x 4 U-Bolt and insert the 3/8 x 4 U-Bolt through the holes on the Lift Side Upright - as shown in Detail "B". Secure each 3/8 x 4 U-Bolt with two 3/8 Flange Nuts - as shown.



DETAIL A



DETAIL B

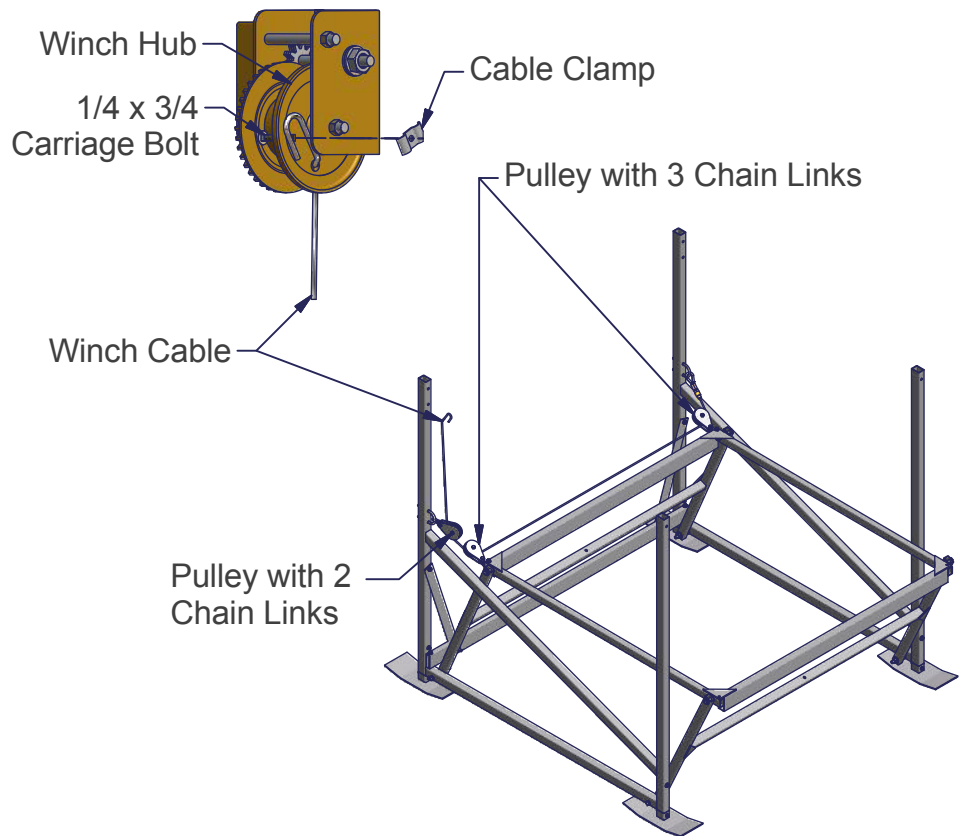


CANTILEVER BOAT LIFTS

STEP 8

Route the Winch Cable through the two Pulleys with three Chain Links and the one Pulley with two Chain Links - as shown. Insert the Winch Cable through the hole in the Winch Hub and create a loop around the square hole. Secure with one 1/4 x 3/4 Carriage Bolt, one Cable Clamp, and one 1/4 Nut w/ Star Washer as shown in Detail "A".

Note: Wear leather gloves while handling the Winch Cable.

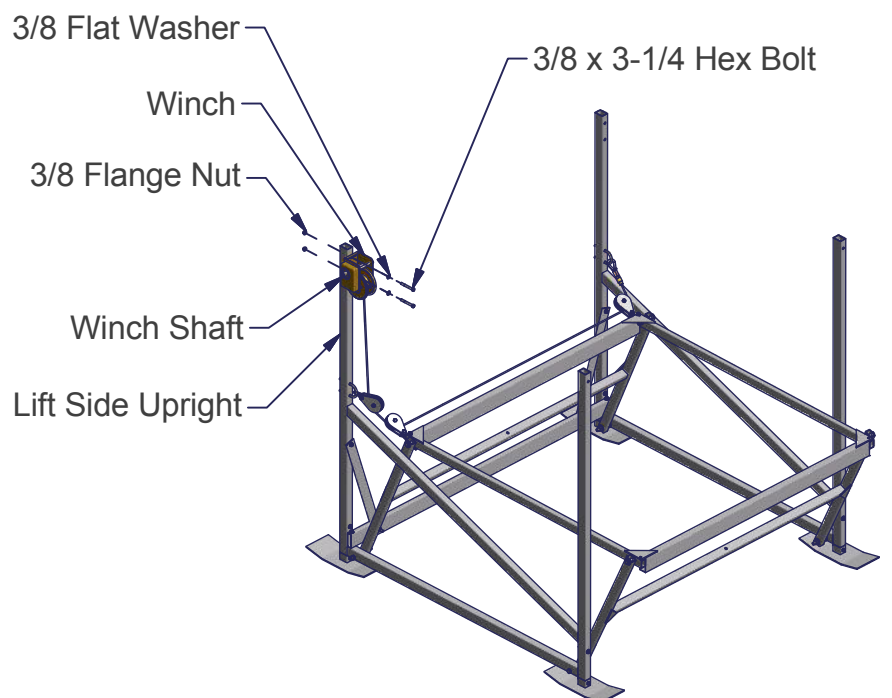


STEP 9

Attach the Winch to the Lift Side Upright with two 3/8 x 3-1/4 Hex Bolts, and two 3/8 Flange Nuts - as shown.

Note: The Bolt Heads should be positioned on the Winch side and should protrude through the Winch and out the Lift Side Upright - as shown.

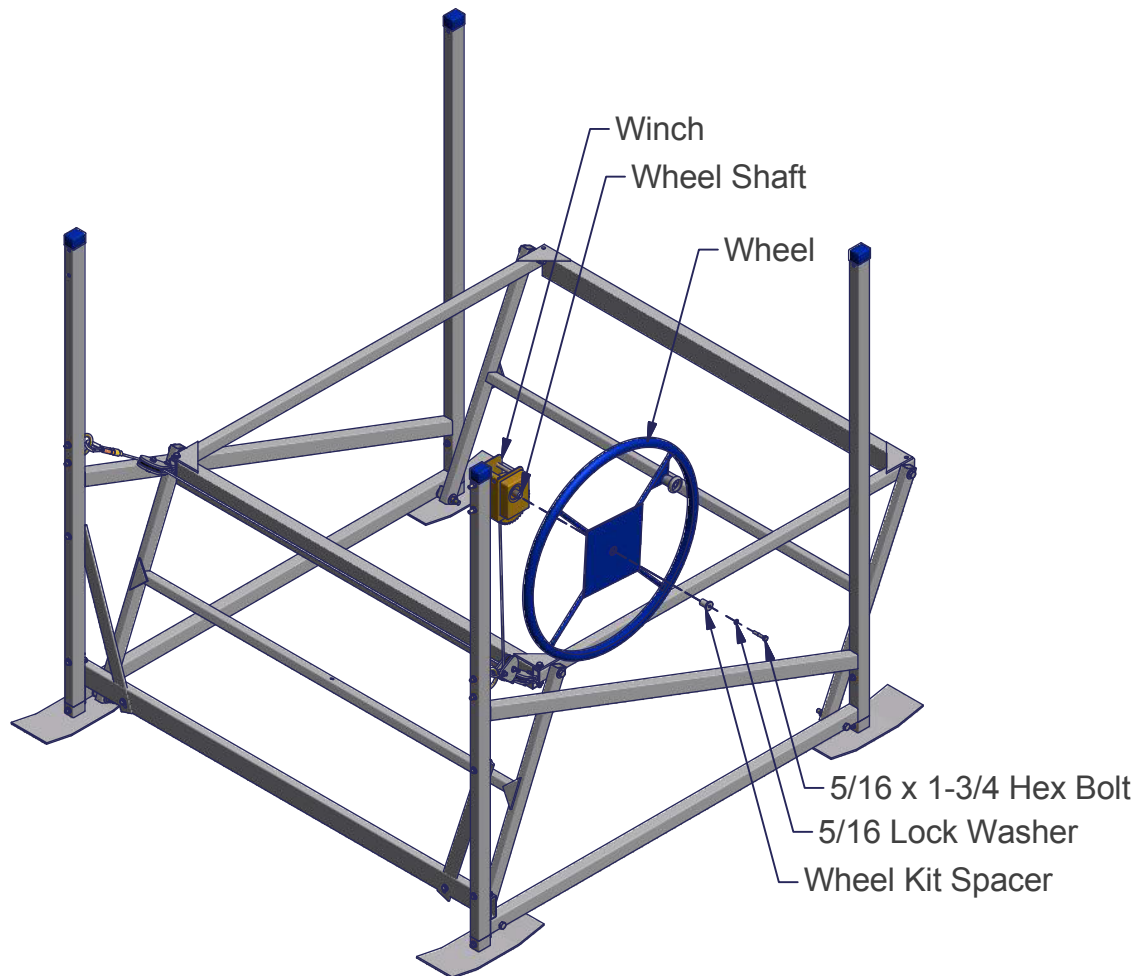
Note: The Wheel Shaft of the Winch must be facing to the outside of the lift. If the Winch is to be attached to the opposite Lift Side than the one shown it must be up side down from the position shown.



CANTILEVER BOAT LIFTS

STEP 10

Thread Wheel clockwise onto Wheel Shaft until it touches the Brake Pad. The wheel must be fully against Brake Pad **and** a clicking sound must be heard when turning wheel up! Using a sharp knife or razor blade, cut a small hole in the middle of the Wheel, where the wheel sticker covers the attaching bolt hole. Secure Wheel to Winch using one 5/16 x 1-1/2 Hex Bolt, one 5/16 Lock Washer, and one Wheel Spacer - as shown.



Thread excess cable onto winch hub by turning the wheel clockwise. Be sure cable wraps tight and uniformly on hub with each strand lying snugly next to the adjacent strand. Keep tension on the cable by holding it tight when turning the wheel to develop a proper wrap. Do not allow cable to wind up loosely on hub.

! WARNING

To prevent personal injury use a leather glove or other hand protection to avoid cuts when applying cable pressure. Cables wrapping incorrectly will result in rapid cable wear.

INSTALLATION INSTRUCTIONS

Warning: Do not under any circumstances, endanger yourself or risk damage to your lift or boat when installing.

- Situations will widely vary between installation sites. ShoreMaster recommends that your dealer or other trained boat lift installer train you and perform the initial installation.
- Wear protective gloves, clothing and eyewear when assembling and installing the lift.
- Do not assemble, install or use this product if items are missing or damaged.

The following are guidelines or suggestions for installation:

STEP 1

Measure the water depth of the position you want to locate the lift. Measurements should be taken at both the projected position of the end nearest shore and the end furthest from shore.

STEP 2

Before installing, adjust lift legs so the boat can float into position before raising, while still allowing a high enough position so the boat can be fully raised up and out of the water.

STEP 3

Carry, lift or slide the lift into position alongside the dock.

STEP 4

Ensure that your lift is level. Measure the distance from the top of the cross beam to the water surface. The distance at each of the four corners of the lift should be within two inches of each other. If they are not, adjust the legs accordingly.

Note: If the lift legs will extend 3 feet or more, ShoreMaster recommends deep water braces to stabilize and strengthen the lift. Ask your dealer for more information.

WARNING

To avoid personal injury the lift must be resting on the water bottom in a level, secure and stable position for safe operation. An unstable lift installation could result in tipping of the lift during operation, causing damage to watercraft and a crushing or pinching injury to the operator or bystanders.

STEP 5

Position the Bunk Bracket to fit watercraft so that it does not come in contact with the frame of the lift. After loading and operating the lift, proceed to the operating instructions, remove the boat and recheck that the lift remains level.

OPERATING INSTRUCTIONS

WARNING

When first using the boat lift after installation, the weight of the boat may cause the lift to settle and become unbalanced. To avoid personal injury make sure people are not in the immediate vicinity of the lift until you are certain the lift has stabilized.

Now that you have installed and leveled the lift, you are ready to raise your boat for the first time. Prior to use, see to it that anyone who may use the lift looks upon the unit not as a toy but a piece of heavy equipment that deserves your respect and good judgment.

- Before allowing anyone to operate the lift, be sure they fully understand the proper operating procedure.
- Do not exceed maximum capacity of the lift; overloading may cause mechanical failure and serious personal injury.
- Do not allow anyone who is in the water within six feet of the lift.
- Do not allow anyone on, in or under the lift while operating.

When operating the lift, the following procedures should be adhered to:

STEP 1

Be sure the lift rack and cradles or bunks are positioned below the water surface so they will not interfere with the boat floating into position.

STEP 2

Properly balance and center the boat on the lift prior to raising. The boat should be positioned with the center of gravity near the middle of the lift. For most rear engine mounted boats, this requires you to position the boat somewhat forward in the lift.

STEP 3

Turn wheel in direction of arrow (clockwise) to raise lift. A clicking sound is heard when properly raising lift. Turning wheel and wrapping cable in wrong direction may cause fast spin down of wheel.

WARNING

To avoid personal injury stay clear of lifts (facing wheel) while operating. Do not allow anyone on, in or under lift. A cable or lift part failure can cause a sudden drop of boat, resulting in a crushing or falling injury or death! Do not touch wheel or attempt to stop it if fast spin down of wheel occurs. Placing hands or feet on spinning wheel can cause broken or cut limbs.

STEP 4

Carefully bring the lift up until the bunks or cradles have secured the boat. Then, stop the lift and check to see that the bunks or cradles have automatically positioned themselves to the shape of the hull, as they are designed to do. If so, continue bringing the boat out of the water until it is about one foot above the surface. Stop the lift again and check the stability of the lift, particularly to see that it is fairly level and will not topple over. Finally, continue lifting the boat while paying close attention to the positioning of the lift until it is at its desired height.

STEP 5

After loading and operating the lift, remove the boat and recheck that the lift remains level. (See Step 4 of the Installation Instructions.) If the lift is not level, the legs should be adjusted accordingly. Because the lift may settle and become unbalanced, the lift levelness should be rechecked two weeks after installation and periodically as needed.

STEP 6

If lift is without a boat in it for more than one day, raise the rack (pulleys) fully out of the water to help prevent corrosion of these parts. At all times, make sure the boat is stored high enough out of the water to avoid wave action against the hull. A moving boat as a result of wave action will damage the lift and can take the boat off the lift.

NOTICE

1. Do not over raise lift rack. Cantilever rack will stop moving once in the up position. Over raising could cause damage to winch, cables or other parts.
2. Do not over lower rack so slack develops in cable. Doing this could cause cable to jump off winch spool. This may result in sloppy wrapping of cable next time you raise the lift, resulting in premature wear or cable breaking. Turn wheel down one or two turns past point when craft begins to float (This must always be at some point before lift rack is contacting rear bottom beam). Then turn wheel up slightly until clicking sound is heard to secure wheel position and brake on winch.
3. Properly cover your boat, or pull your boat's plug when the boat is in a raised position. Rain water accumulating in your bilge can quickly increase your gross weight over the capacity of the lift.
4. Do not leave lift, or boat on lift, in water if ice formation is possible. Ice can severely damage your boatlift.

SAFETY MAINTENANCE

Monthly Checks

Check cable for frays, corrosion or breaks at least once a month. A cable breaking while boat is in lift could damage boat or lift. Severe bodily injury could also occur.

Spring and Falls Checks

1. Inspect nuts and bolts for damage, wear or loose connections. Tighten or replace parts as needed.
2. Inspect lift frame, pulleys, winch and pivot points for unusual wear, damage or bent parts. Replace or repair as needed.
3. Lubricate winch and wheel threads. Do not get lubricant on brakepads! Brake will fail and wheel will spin down if brake pads are lubricated.
4. Check and lubricate pulleys to ensure that they are turning freely.