

## Rubber Wheel with Key

### Instructions

Part #: 1014479

Parts List				
ITEM	QTY	PART NUMBER	DESCRIPTION	
1	1	1014474	Rubber Wheel 8.0	
2	1	1014210	Bolt Hex 1/4-20 x 1.75 SS 304 (re-use existing)	
3	1	1014554	Gear Key .188x.188x1	
4	1	1025048	Spacer Round .5 OD x 1.0625 Long x .252 ID - Alum	
5	1	1025049	Washer Fender 1/4 x 1 OD - 304 SS	

**Step 1.** Place gear key (3) into groove in motor.

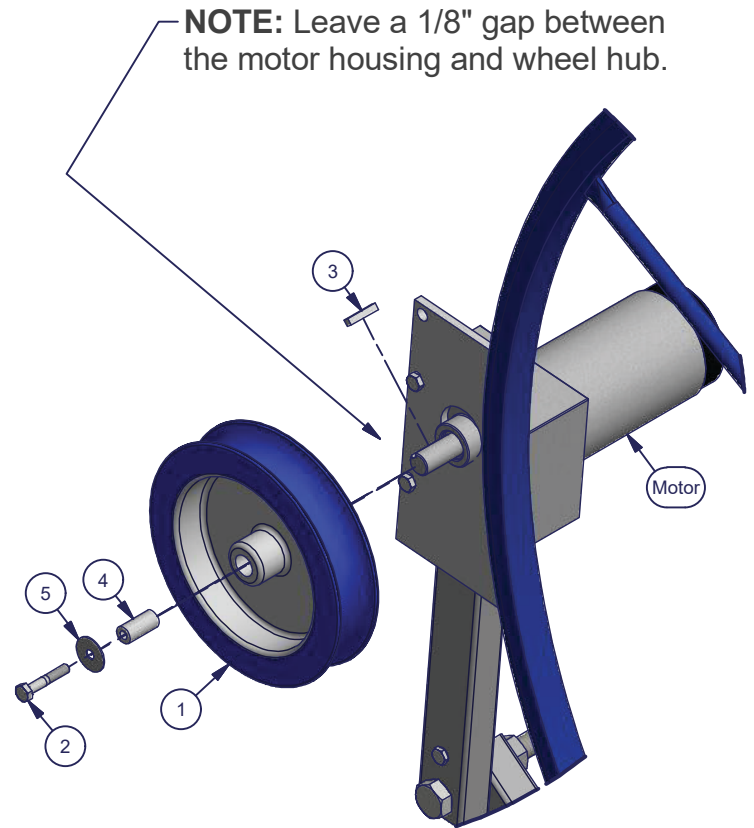
**Step 2.** Slide wheel (1) onto shaft on motor, make sure to line up groove on wheel so it lines up with gear key (3) also make sure the set screw on the wheel is on the outside.

**Step 3.** Insert round spacer (4) into the front of the wheel.

**Step 4.** Thread 1/4 x 1.75 (2) bolt with fender washer (5) into end of motor. Make sure there is a gap between the motor and the wheel.

**Step 5.** Hold wheel out away from the motor making sure there is about a 1/8" gap and tighten the set screw on the backside of the wheel.

**Step 6.** Tighten the 1/4 x 1.75 bolt against motor, make sure not to overtighten and make sure there is still a gap between the motor and wheel.



Wheel set screw