

Full Length Bunk Pair Curved

Instructions

Part #: 1014139

Parts List			
ITEM	QTY	PART NUMBER	DESCRIPTION
1	2	1003768	Rear Pocket - Heavy Duty
2	2	1003767	Bunk Pocket - Heavy Duty
3	6	1005692	Bunk Post
4	14	1002432	Bolt Hex 3/8 x 3.0
5	6	1002429	Bolt Hex 3/8 x 2.25
6	20	1001802	Nut Flange 3/8
7	2	1014140	Bunk - Heavy Duty

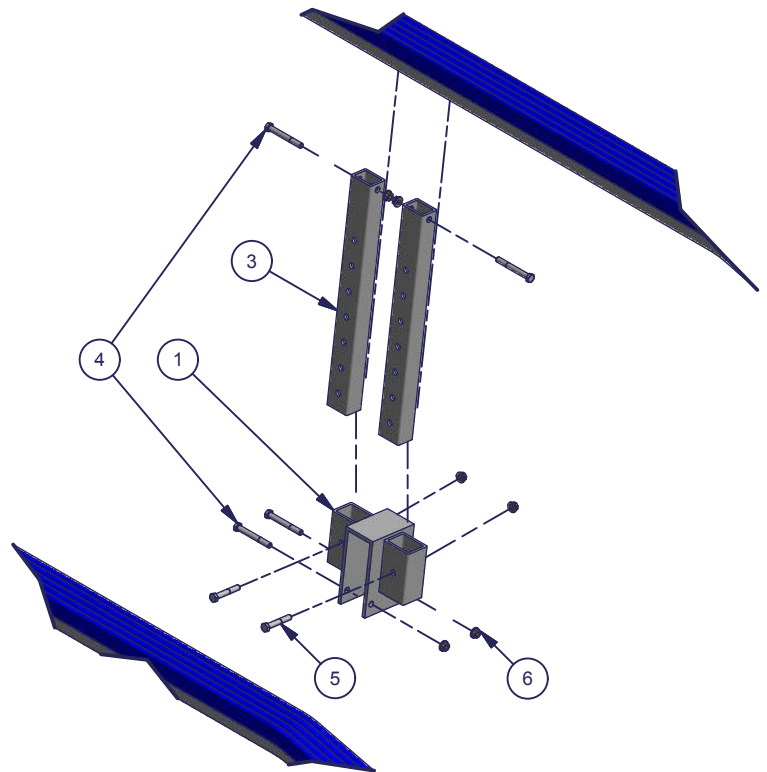
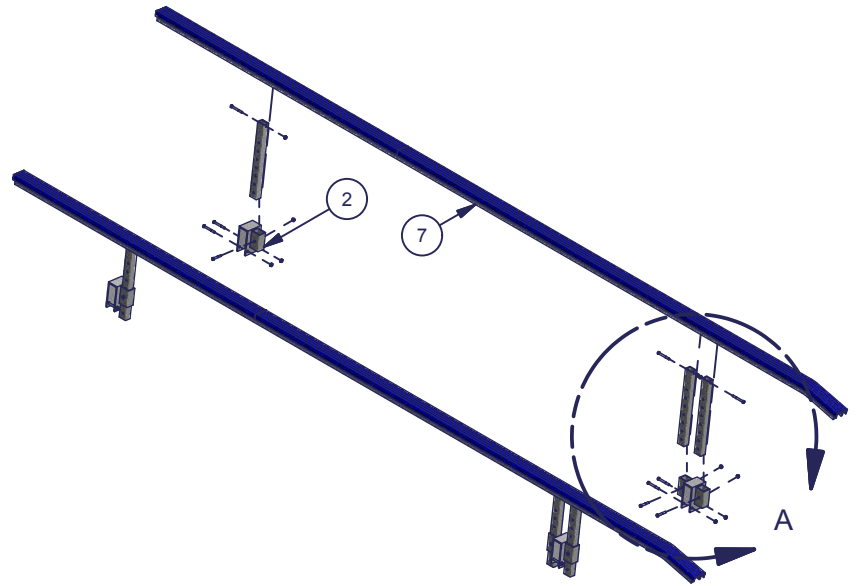
Failure to follow instructions may result in personal injury and may invalidate the applicable warranty.

Step 1. Place Rear Pocket on rear rack beam of lift, and bunk pocket on front rack beam of lift. Insert two 3/8 x 3 Hex Bolts through the bottom of each pocket placed on the rack and loosely thread one 3/8 Flange Nut onto each 3/8 x 3 Hex Bolt. Leave loose for adjustment until bunks are placed in desired location.

Step 2. Insert bunk posts in bunk pockets. Secure at desired height with 3/8 x 2-1/4 hex bolt and 3/8 flange nut.

Step 3. Attach the bunks to the bunk posts using one 3/8 x 3 hex bolt and one 3/8 flange nut in each place.

Step 4. Adjust the spacing and height of the bunks to fit your application.



DETAIL A