

## Wheel Kit Installation

### Instructions

Part #: 1013137

Failure to follow instructions may result in personal injury and may invalidate the applicable warranty.

Step 1. Remove the boat from the lift.

Step 2. Thread the wheel on the winch shaft by turning the wheel clockwise. You must thread the wheel all the way on the winch shaft.

**CAUTION** The wheel hub must be fully against the brake pad. See Below.

Step 3. Cut a small hole in the sticker in the middle of the wheel where the sticker covers the drive shaft and bolt hole.

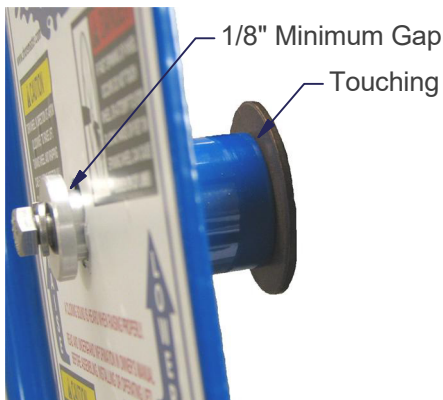
Step 4. Place washer on bolt and thread into winch shaft. Tighten the bolt. Allow for a minimum gap of 1/8 inch between the wheel sticker and the shoulder of the one piece spacer.



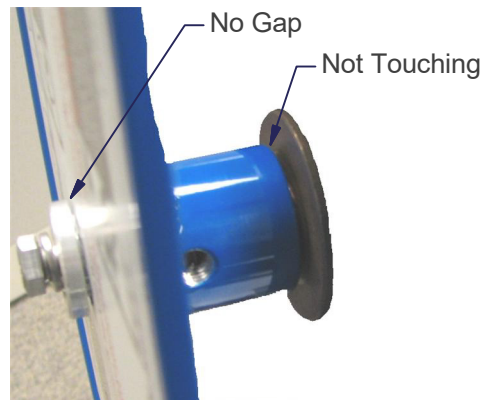
New Style Dutton Wheel Kit



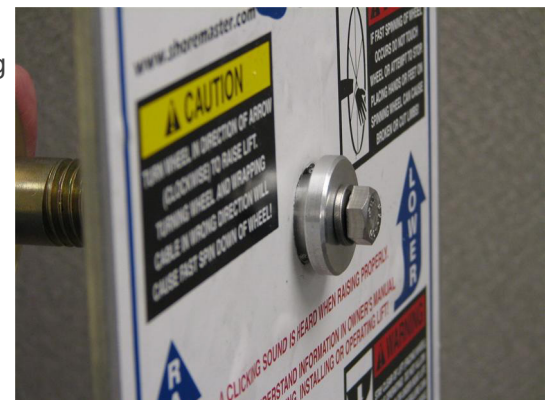
Dutton Winch



CORRECT



INCORRECT



PROPER 1/8" GAP