

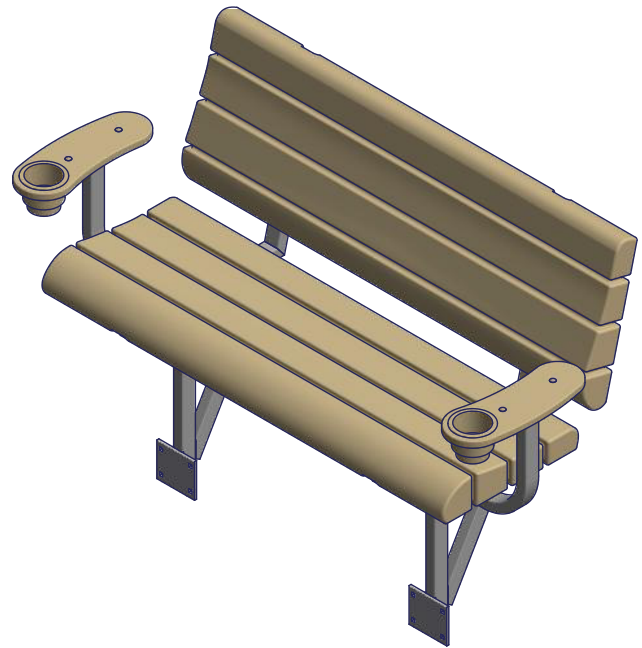
# QUICKCONNECT ACCESSORIES

## LakeView Bench Armrest (Pair)

### Instructions

Part #: 1007898 - Tan  
1029078 - Gray

Parts List			
ITEM	QTY	PART NUMBER	DESCRIPTION
1	2	1007897	Armrest Bent Arm
2	2	1003224	Armrest Tan Poly
2	2	1029076	Armrest Gray Poly
3	2	1001767	Tan Cupholder
3	2	1029075	Gray Cupholder
--	1	1007893	Bolt Bag Armrest Lakeview Bench
4	4	1001952	Bolt Carriage 1/4-20 x 1.5 SS 304
5	4	1001797	Nut Hex 1/4-20 Brass
7	8	1002599	Washer Flat 3/8 SS
8	4	1002424	Bolt Hex 3/8-16 x 2.0 SS 304
10	4	1001805	Nut Nyloc 3/8-16 Brass



Failure to follow instructions may result in personal injury and may invalidate the applicable warranty.

**Step 1.** Attach armrest bent arms to dock bench frame as shown using 3/8" x 2" hex bolts, 3/8" flat washers and 3/8" nyloc nuts.

**Step 2.** Attach poly armrest to armrest bent arm using 1/4" x 1-1/2" carriage bolts and 1/4" hex nuts.

**Note:** Make sure to position poly armrest correctly, as shown.

**Step 3.** Insert cupholder into hole in poly armrest.

