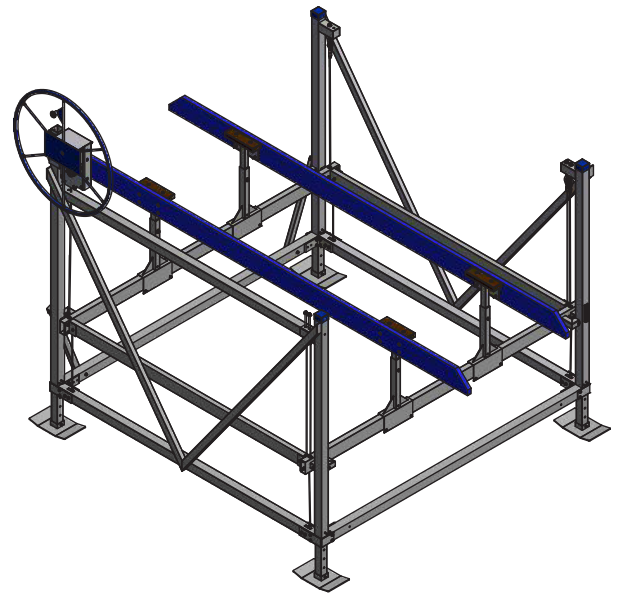


Pontoon Rail Bracket SR

Instructions

Part #: 1007009

Parts List			
ITEM	QTY	PART NUMBER	DESCRIPTION
1	4	1005762	Upper Bracket Pontoon Rail
2	4	1005761	Lower Bracket Pontoon Rail
3	4	1026697	2" X 4" X 1' Treated Wood (Sold Separately)
4	24	1001960	Bolt Carriage 3/8 x 2.5
5	4	1002382	Bolt Hex 1/2 x 3.0
6	8	1002432	Bolt Hex 3/8 x 3.0
7	32	1001802	Nut Flange 3/8
8	4	1001792	Nut Hex 1/2
9	2	1026691	Carpeted 2x8x14ft - Blue (Sold Separately)
10	4	1002565	Washer Flat 1/2 SS



Failure to follow instructions may result in personal injury and may invalidate the applicable warranty.

Step 1. Place the lower brackets onto the rack of the lift. Secure in place using two 3/8 x 3 hex bolts and two 3/8 flange nuts for each lower bracket. Leave loose until placed in desired location on lift.

Step 2. Place upper brackets into the lower bracket and secure at desired height using one 1/2 x 3 hex bolt, one 1/2 flat washer, and one 1/2 hex nut per bracket.

Step 3. Attach the small bunk boards to the top of the upper brackets using two 3/8 x 2-1/2 carriage bolts and two 3/8 flange nuts for each piece.

Step 4. Attach the full length bunk boards to the upper brackets as shown. Use four 3/8 x 2-1/2 carriage bolts and four 3/8 flange nuts to secure the bunk boards in each place.

Step 5. Adjust the spacing and height of the bunks to fit your application.

