

## Straight Rack Pontoon Guide Set

### Instructions

Part #: 1007005

Parts List			
ITEM	QTY	PART NUMBER	DESCRIPTION
1	4	1005653	Wdmt Cradle Pocket Adj
2	4	1005777	Pontoon Guide Leg 30"
8	1	1002243	Bolt Bag
3	8	1002432	Bolt Hex 3/8-16 x 3.0 SS 304
4	20	1001802	Nut Flange 3/8-16 Brass
5	4	1002429	Bolt Hex 3/8-16 x 2.25 SS 304
6	8	1001963	Bolt Carriage 3/8-16 x 4.0 SS 304
7	8	1002599	Washer Flat 3/8 SS
8	-	-	Bunks Sold Separately

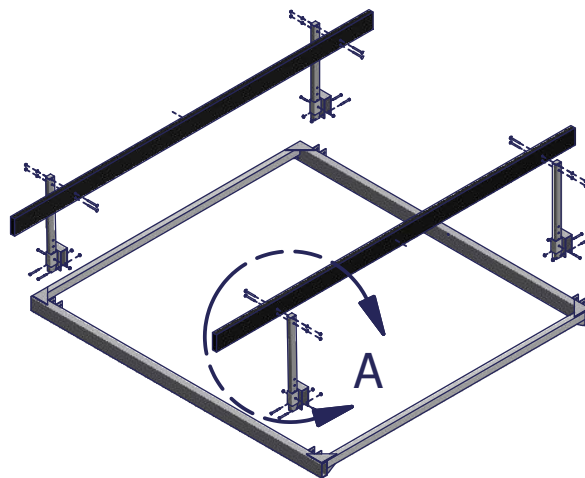
Failure to follow instructions may result in personal injury and may invalidate the applicable warranty.

**Step 1.** Place four cradle pockets over the rack beams as shown. Insert two 3/8 x 3 hex bolts into the bottom of each cradle pocket and thread two 3/8 flange nuts onto the bolts. Leave loose until in desired position.

**Step 2.** Insert the guide legs into the cradle pockets. Secure in place with one 3/8 x 2-1/4 hex bolt and one 3/8 flange nut. Set legs to the same height. Adjust height to fit your application.

**Step 3.** Fasten boards (not supplied) to guide legs using two 3/8 x 4.0 carriage bolts, two 3/8 washers, and two 3/8 nuts as shown.

**Note:** Counter sink carriage bolts to avoid scratching the side of your watercraft.



DETAIL A

