

BOAT LIFT ACCESSORIES

Full Length Bunks

Instructions

Part #: 1006991 - Full Length Bunk 11ft Pair
 1006985 - Full Length Bunk Pair 50120

Parts List			
ITEM	QTY	PART NUMBER	DESCRIPTION
1	4	1005653/1005627	Wdmt Cradle Pocket Adjustable
2	4	1005692	Prt Tube 18.0 - Bunk Post (Alum Bunk)
(3)	2	1022782	Assy Full Length Bunk - Blue Vinyl 11'
3	2	1022781	Assy Full Length Bunk - Blue Vinyl 14'
--	1	1002237	Bolt Bag Full Length Bunk
4	4	1002429	Bolt Hex 3/8-16 x 2.25 SS 304
5	16	1001802	Nut Flange 3/8-16 Brass
6	12	1002432	Bolt Hex 3/8-16 x 3.0 SS 304

Failure to follow instructions may result in personal injury and may invalidate the applicable warranty.

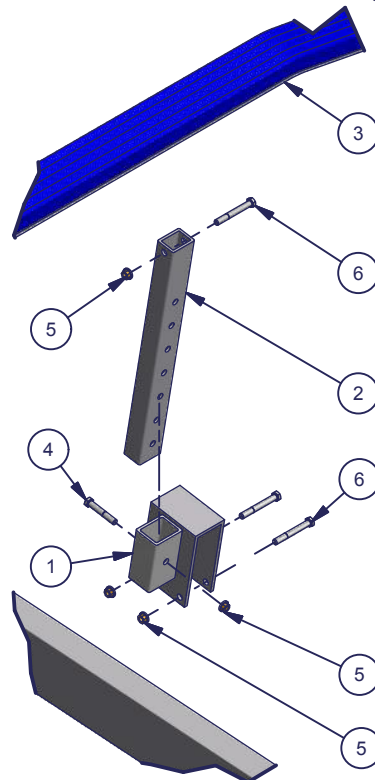
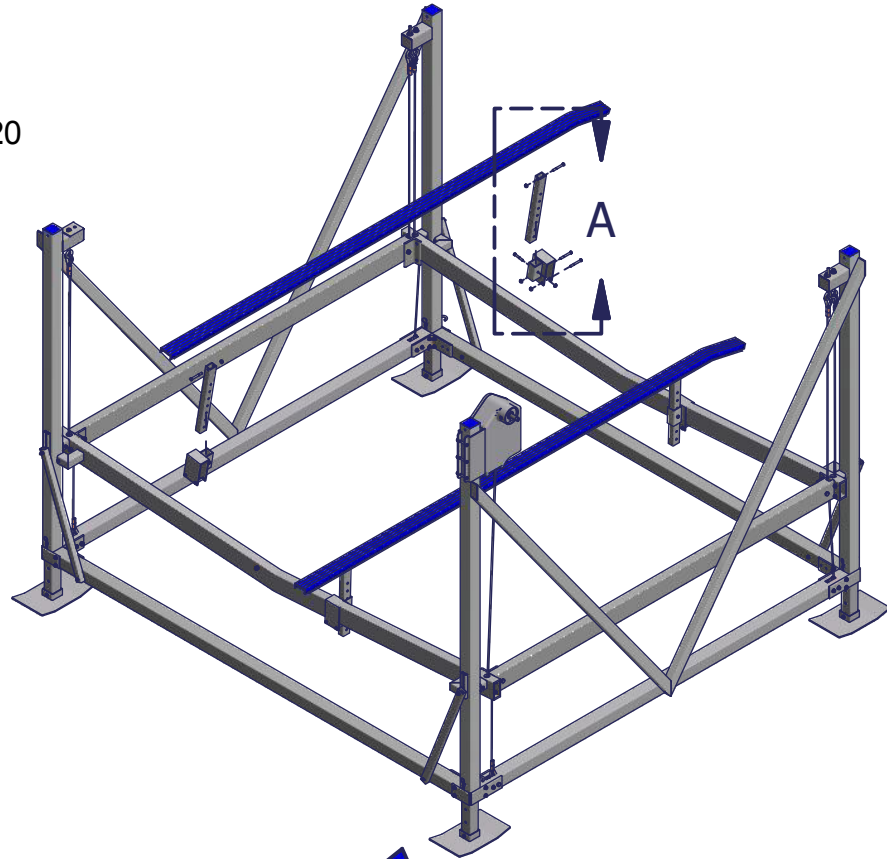
Step 1. Attach the cradle pockets to the rack beams, secure with 3/8 x 3 hex bolts and 3/8 flange nuts. Cradle pockets should face to the outside of the lift (as shown).

Step 2. Insert the bunk posts into the cradle pockets, secure with 3/8 x 2-1/4 hex bolts and 3/8 flange nuts (leave loose).

Step 3. Attach bunks to bunk legs, secure with 3/8 x 3 hex bolts and 3/8 flange nuts (leave loose).

Step 4. Adjust bunks to the desired height and angle and tighten all hardware.

Note: The bunks should only contact the flat area of the boat hull. Avoid contact with the ribs (stakes).



DETAIL A