

18" Swivel Bunk Kit

Instructions

Part #: 1006979

Parts List			
ITEM	QTY	PART NUMBER	DESCRIPTION
1	4	1005611	Cradle Leg 18.0
2	4	1004362	Swivel Hinge
3	4	1005653	Cradle Pocket
-	1	1006973	Bolt Bag
4	20	1001802	Nut Flange 3/8
5	4	1001805	Nut Nyloc 3/8
6	4	1002427	Bolt 3/8 x 2.5
7	8	1002432	Bolt 3/8 x 3.0
8	4	1002434	Bolt 3/8 x 3.5
9	8	1002426	Bolt Truss Phil 3/8 x 2.0

Failure to follow instructions may result in personal injury and may invalidate the applicable warranty.

Step 1. Attach two Cradle Pockets to the front and rear rack beam. Secure each with two 3/8 x 3.0 hex bolts and two 3/8 flange nuts - as shown.

Note: The Cradle Pockets should be in-line from front to back, final adjustment must be made after the 18" Swivel Bunk Kit is fully assembled.

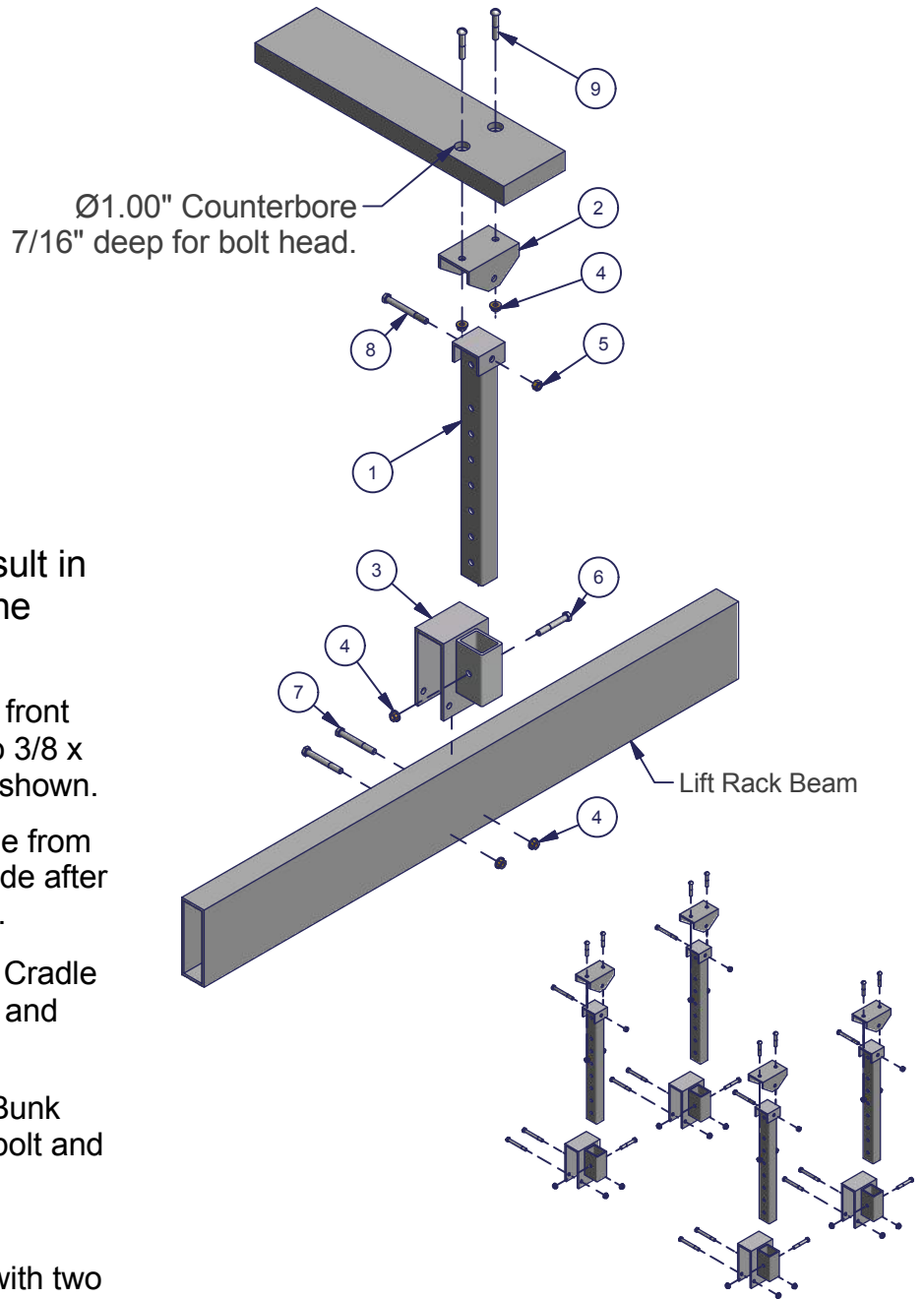
Step 2. Attach one Swivel Hinge to each Cradle Leg. Secure with one 3/8 x 3-1/2 Hex Bolt and one 3/8 Brass Nyloc Nut - as shown.

Step 3. Insert one Cradle Leg into each Bunk Bracket. Secure with one 3/8 x 2-1/2 hex bolt and one 3/8 brass nut - as shown.

Step 4. Attach the Carpeted Bunks (not included) to the Swivel Brackets. Secure with two 3/8 x 2 truss bolts and two 3/8 brass nuts - as shown.

NOTICE Make sure to countersink truss bolts into the bunk so bolt heads don't damage the contact surface of the boat.

Step 5. Adjust the Bunks to the desired position and tighten all hardware.



Note: The head of the bolt must go into the counterbore of the pre-drilled holes to avoid damage to the bottom of the watercraft. On 11ft bunks the holes are located 11.25" from one end and 23.25" from the other end and 3" apart vertically. On 14ft bunks the front set of holes are located 20.75" and 25.25" from the end. The rear set of holes is located 20.75" and 25.18" from the end.