

BOAT LIFT ACCESSORIES

Full Length Guide Kit

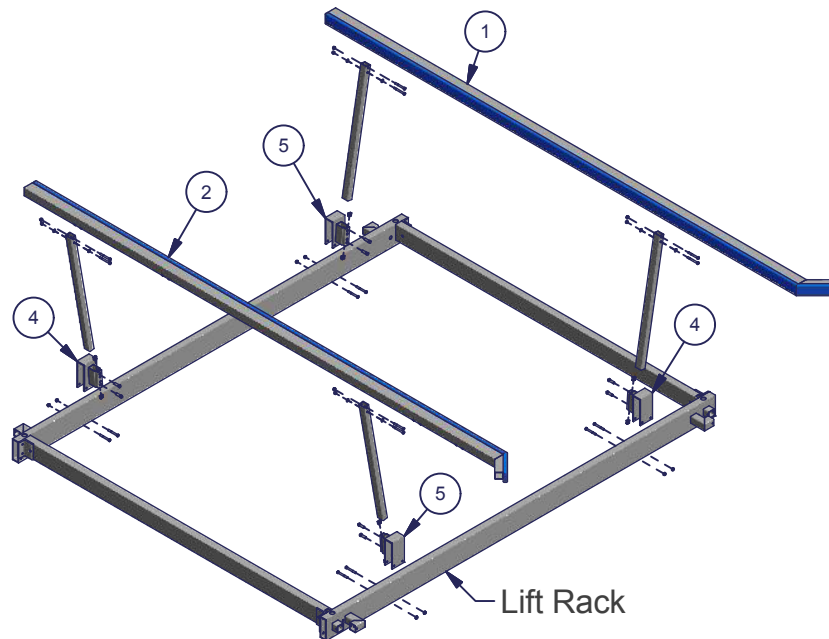
Instructions

Part #: 1006975 - Bolt Bag

1006992 - Full-Length Guide 11ft (pair)

1006986 - Full-Length Guide 14ft (pair)

Parts List			
ITEM	QTY	PART NUMBER	DESCRIPTION
1	1	1005701	11' Full Length Guide Left
2	1	1005702	11' Full Length Guide Right
(1)	1	1005688	14' Full Length Guide Left
(2)	1	1005689	14' Full Length Guide Right
3	4	1005703	Leg Post
-	1	1005589	Hardware Box
4	2	1005655	Guide Bracket Left
5	2	1005656	Guide Bracket Right
-	1	1006975	Bolt Bag
6	8	1001793	Nut Square 1/2
7	8	1002558	Set Screw 1/2 x 1.5
8	8	1002599	Washer Flat 3/8
9	12	1002432	Bolt 3/8 x 3.0
10	12	1001802	Nut Flange 3/8
11	4	1001805	Nut Nyloc 3/8
12	4	1002436	Bolt 3/8 x 3.25



Failure to follow instructions may result in personal injury and may invalidate the applicable warranty.

Step 1. Attach one of each Guide Bracket to the Front and Rear Racks. The angle pocket must be on the inside of the rack. Secure each Guide Bracket with two 3/8 x 3.0 hex bolts, and two 3/8 flange nuts - as shown.

Step 2. Insert one Leg Post into each Guide Bracket. Secure with two 1/2 x 1-1/2 set screws and two 1/2 Brass Square Nuts - as shown.

Step 3. Attach each Full Length Guide (11ft or 14ft) to two Leg Posts. Secure at each Leg Post with one 3/8 x 3 hex bolt, one 3/8 x 3-1/4 hex bolt, two 3/8 Flat Washers, one 3/8 Flange Nut and one 3/8 Nyloc Nut - as shown.

Step 4. Once Steps 1 through 3 are complete adjust the Full Length Guides to the desired width and height.

NOTICE The Full Length Guides should not meet the boat where decals or decorative paint is present. This can cause wear. The boat should contact the Full Length Guides at a non-sensitive point such as a rub-rail.

