

1296 Carpeted 11ft Bunk Kit

Instructions

Part #: 1027937

Parts List			
ITEM	QTY	PART NUMBER	DESCRIPTION
1	4	1005603	Bunk Bracket 1000 lb
-	1	1002233	Bunk Bracket Bolt Bag
2	4	1001793	Nut Square 1/2-13 Brass
3	4	1002558	Set Screw 1/2-13 x 1.5 SS 304 Cup Point
4	4	1002427	Bolt Hex 3/8-16 x 2.5 SS 304
5	4	1001802	Nut Flange 3/8-16 Brass
6	2	1027935 , 1027936	Assy Carpeted Bunk 11ft - Blue -1296 Vertical

Failure to follow instructions may result in personal injury and may invalidate the applicable warranty.

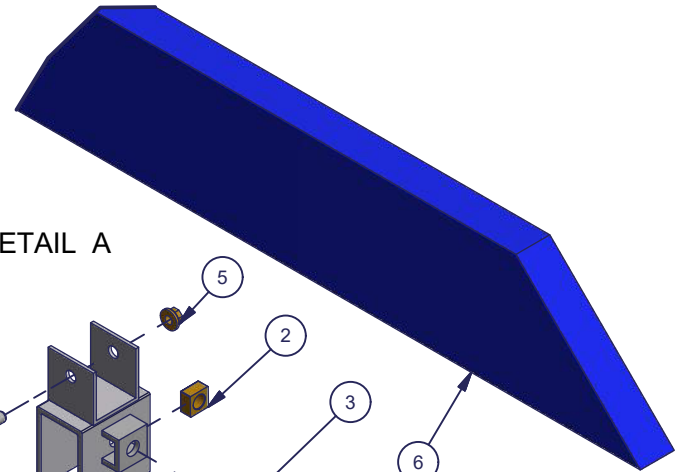
Step 1. Place bunk brackets over top of front and rear rack beams on lift.

Step 2. Insert one square brass nut into the nut clip of the each bunk bracket. Lightly thread one 1/2 x 1-1/2 set screw into the square nuts. Leave loose.

Step 3. Place bunks into the channel of the bunk brackets. Drill a 7/16" hole through the bunk using bunk bracket as template.

Step 4. Insert 3/8 x 2-1/2 hex bolt through bunk bracket and bunk. Tighten 3/8 brass flange nut onto bolt to secure bunks in place.

Step 5. Adjust bunks on lift rack to fit application. When in desired place, tighten the 1/2 x 1-1/2 set screws in bunk brackets.



DETAIL A

