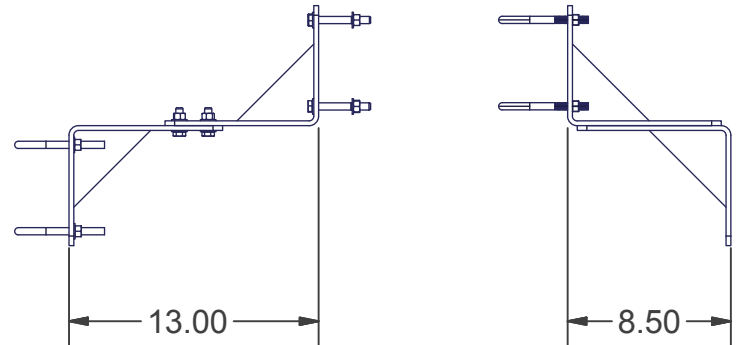


# Shoreport Stand Off Connection

## Instructions

Part #: 1006715

Parts List			
ITEM	QTY	PART NUMBER	DESCRIPTION
--	1	1004567	Universal Stand-off Plate Bolt Bag
1	24	1001805	Nut Nyloc 3/8-16 Brass
2	40	1002599	Washer Flat 3/8 SS
3	4	1002428	3/8" X 2-1/2 X 4.30 U-BOLT SS
4	8	1002422	Bolt Hex 3/8-16 x 1.25 SS
5	8	1002433	Bolt Hex 3/8-16 x 3.0 Full Thread SS
6	4	1000126	Universal Stand-off Plate Galvanized



Failure to follow instructions may result in personal injury and may invalidate the applicable warranty.

**Step 1.** Place one stand off plate in desired position on side of dock frame and mark hole locations using plate as template. Drill four 7/16 holes through dock frame.

**Step 2.** Attach one piece of stand off plate to dock using a 3/8 nyloc nut, two 3/8 flat washers, and 3/8 x 3.0 hex bolt in four places as shown.

**Step 3.** Place upper piece of stand off plate on top of lower piece and extend to desired position. Secure into position using one 3/8 x 1-1/4 hex bolt, two 3/8 flat washers, and one 3/8 nyloc nut in four places as shown.

**Step 4.** Slide the 3/8 x 2-1/2 x 4.3 U-bolts over the pipe and insert the threaded ends into the upper part of the stand off plate. Secure using four 3/8 nyloc nuts and 3/8 flat washers.

