

DOCK ACCESSORIES

RS7 Accessory Connector

Instructions

Part #: 1006708

Parts List			
ITEM	QTY	PART NUMBER	DESCRIPTION
1	1	1000007	RS7 Accessory Bracket
-	1	1004432	Bolt Bag - Accessory Connector Bracket
2	1	1026428	T Handle .375-16 X 1.5 X 2.5
3	4	1001956	Bolt Carriage 3/8 x 1.0
4	4	1001802	Nut Flange 3/8

Failure to follow instructions may result in personal injury and may invalidate the applicable warranty.

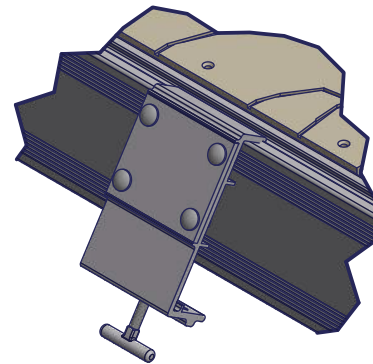
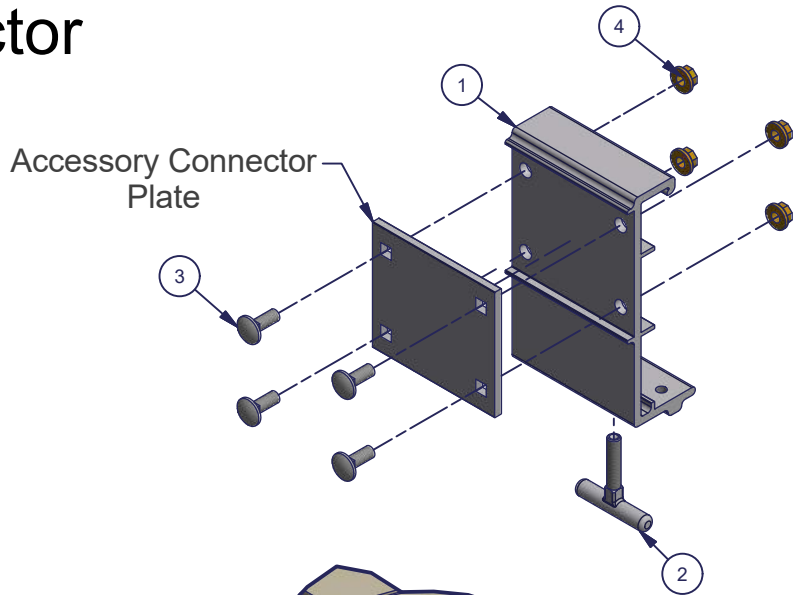
Step 1. Attach the Accessory Connector Bracket to the Accessory Connector Plate. Secure with four 3/8 x 1 Carriage Bolts and four 3/8 Flange Nuts.

Note: The Accessory Connector Plate is welded to the accessory.

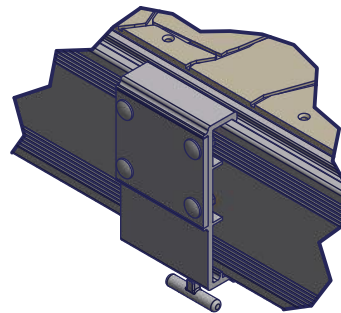
Step 2. Put top of accessory connector bracket into top rail of dock frame.

Step 3. Thread the 2 1/2 - 3/8 x 1 1/2 T-Handle into the center hole on the bottom of the Accessory Connector Bracket.

Note: The outer holes on the Accessory Connector Bracket are used when two 2 1/2 - 3/8 x 1 1/2 T-Handle are needed. The extra T-Handle will be included where required.



Pivot the top lip of the Accessory Connector Bracket assembly into the Groove on the top of the dock frame - as shown.



Once the Accessory Connector Bracket assembly is in the desired place, tighten the 2 1/2 - 3/8 x 1 1/2 T-Handle - as shown.

Note: Be sure to avoid the access holes on the bottom of the dock frame when tightening the T-Handle.