

DOCK ACCESSORIES

Vertical Roto Bumper

Instructions

- Part #: 1006690 (Black)
- Part #: 1006691 (Blue)
- Part #: 1006692 (Tan)
- Part #: 1006693 (White)
- Part #: 1030666 (Gray)

Parts List			
ITEM	QTY	PART NUMBER	DESCRIPTION
1	1	1004261	Poly Vertical Roto Bumper Black
	1	1004259	Poly Vertical Roto Bumper Blue
	1	1004260	Poly Vertical Roto Bumper Tan
	1	1004258	Poly Vertical Roto Bumper White
	1	1030665	Poly Vertical Roto Bumper Gray
-	1	1004265	Vertical Bumper Bracket w/Bolt Bag
2	1	1003790	Vertical Bumper Bracket Weldment
3	1	1003119	Slider Leg 37.75" Vert. Roto Bumper
4	2	1000868	Gray Cap 2 X 2 X 2
-	1	1004433	Bolt Bag Vertical Bumper Bracket
5	3	1002599	Washer Flat 3/8 SS
6	4	1001802	Nut Flange 3/8-16 Brass
7	3	1001805	Nut Nyloc 3/8-16 Brass
8	2	1001962	Bolt Carriage 3/8-16 x 3.5 SS 304
9	5	1001956	Bolt Carriage 3/8-16 x 1.0 SS 304

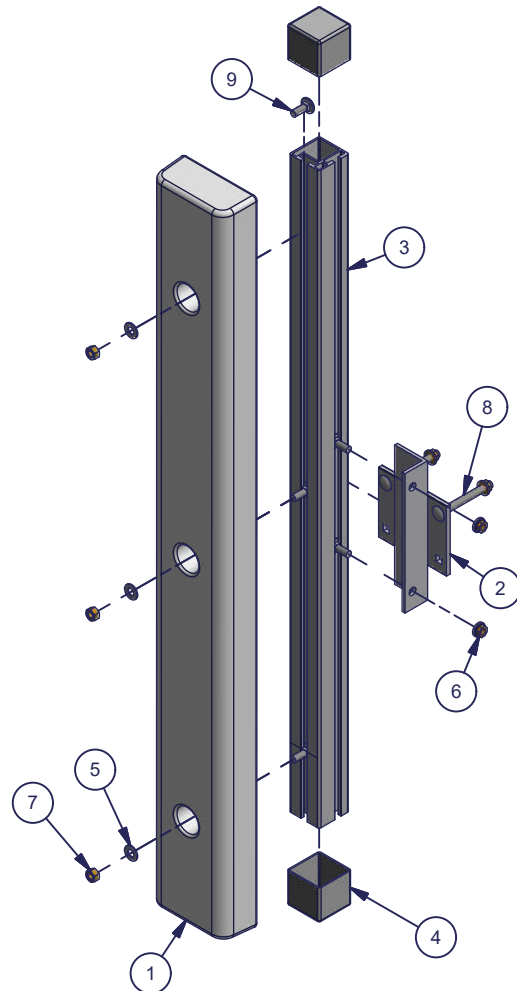
Failure to follow instructions may result in personal injury and may invalidate the applicable warranty.

Step 1. Attach accessory bracket to vertical bumper bracket weldment using hardware from accessory bracket 3/8 x 1 carriage bolts and 3/8 flange nuts.

Step 2. Attach vertical bumper bracket to slider leg (at desired height) using 3/8 x 1 carriage bolts and 3/8 flange nuts.

Step 3. Attach Roto Bumper to slider leg using 3/8 x 1 carriage bolts and 3/8 flange nuts (set to desired height before tightening nuts).

Step 4. Slide the caps onto top and bottom of slider leg.



Note: Vertical Dock Bumper will be attached to one of four different type of Accessory Dock Connectors in order to be attached to your dock. Below is a list of the four different types of docks and the required bracket.

Dock Type	Bracket Part Number
RS4 Dock	1006706
RS7 Dock	1006708
TS9 Dock	1006730
Poly Dock	1006608

Note: In order to attach vertical dock bumper to a dock not listed above use two 3/8" x 3-1/2" carriage bolts and two 3/8" flange nuts (provided).