

Flagpole Holder

Instructions

Part #: 1006666

Parts List			
ITEM	QTY	PART NUMBER	DESCRIPTION
1	1	1003807	Flag Pole Holder
-	1	1004447	Bolt Bag Flag Pole Holder
2	2	1002421	Screw 3/8 X 1 1/2 Thumb SS
3	2	1002598	Nut Square 3/8-16 SS

Failure to follow instructions may result in personal injury and may invalidate the applicable warranty.

Note: Flag pole holder will be attached to one of four different type of Accessory Dock Connectors in order to be attached to your dock. Below is a list of the four different types of docks and the required bracket.

Dock Type	Bracket Part Number
RS4 Dock	1006706
RS7 Dock	1006708
TS9 Dock	1006730
Poly Dock	1006608

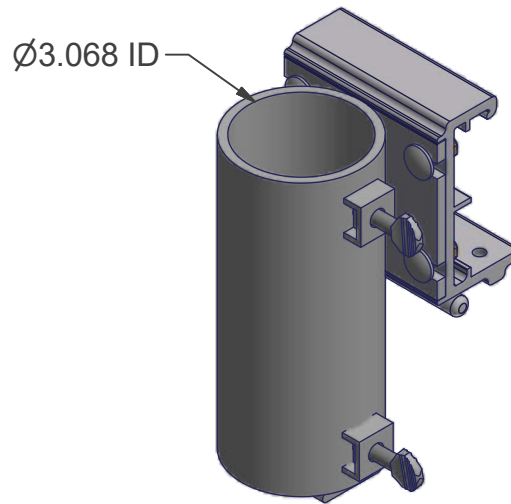
Connect flag pole holder to accessory bracket (Sold Separately) according to accessory bracket instructions.

Step 1. After attaching Flagpole Holder to Accessory Bracket, insert the 3/8 square nuts into nut clips on Flagpole Holder pipe.

Step 2. Screw the 3/8 thumb screws a few turns into 3/8 square nuts, just enough to hold in place.

Step 3. Attach Flagpole Holder and Assesory Bracket to dock frame.

Step 4. Insert Flagpole into Flagpole Holder and tighten 3/8 thumb screws.



RS4 Accessory Bracket and Hardware shown (Sold Separately)

