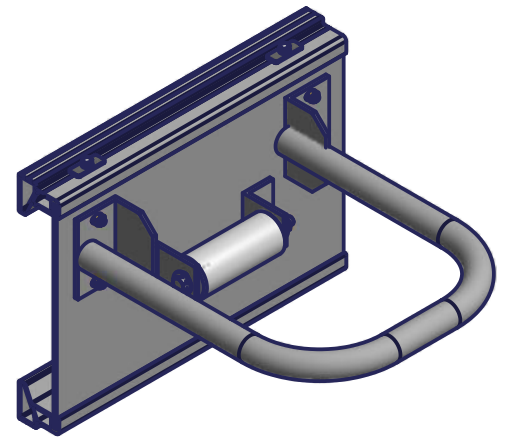


## 10" PolyDock Pile Hoop

### Instructions

Part #: 1006633

Parts List			
ITEM	QTY	PART NUMBER	DESCRIPTION
1	1	1005755	10" Pile Hoop, Hoop Weldment
2	1	1005753	Pile Hoop Plate Weldment
3	1	1005749	Pile Hoop Bracket Top Connector
4	1	1005747	LADDER BOTTOM CONNECTOR
--	1	1006635	Bolt Bag Poly Dock Pile Hoop
5	4	1002419	Bolt 3/8 - 16 X 1 SS
6	4	1001802	Nut Flange 3/8 - 16 Brass
7	1	1001795	Nut 1/2 Nyloc Brass
8	2	1002565	Washer Flat 1/2 SS
9	1	1005726	6 IN UHMW Roller
10	1	1002395	Hex Bolt 1/2 X 8 S.S.
--	2	1004512	Poly Connector Rod Composite 13.875 w/ Hardware
11	1	1001025	Bolt Hex 5/16-18 x 4.5 Full Thread SS 304
12	2	1002566	Screw Oval #12 x 1.0 SS
13	2	1007918	Poly Connector Rod 13.875 Composite
14	2	1001026	Washer Rectangular SS 1/8 x 2 x 3/4
15	2	1002606	Washer Lock 5/16 SS



Failure to follow instructions may result in personal injury and may invalidate the applicable warranty.

**Step 1.** Attach UHMW roller to pile hoop weldment using 1/2" x 8" hex bolt, two 1/2 flat washers, and a 1/2 nyloc nut as shown.

**Step 2.** Attach 8" pile hoop to pile hoop plate weldment using 3/8 flange nuts, and 3/8 x 1.0 hex nuts as shown.

**Step 3.** Insert poly connector rods up through the bottom of the bottom connector, secure in place with #12 x 1.0 oval screws. Place the hoop plate weldment in the slot of the bottom connector, then the top connector on top of the plate.

**Step 4.** Insert 5/16 x 4-1/2 hex bolts through 5/16 lock washers, then rectangular washers, and lightly thread them through the top connector into the connector rod. Slide poly dock pile hoop into desired position on dock and tighten the 5/16 x 4-1/2 hex bolts to 20 ft/lbs.

