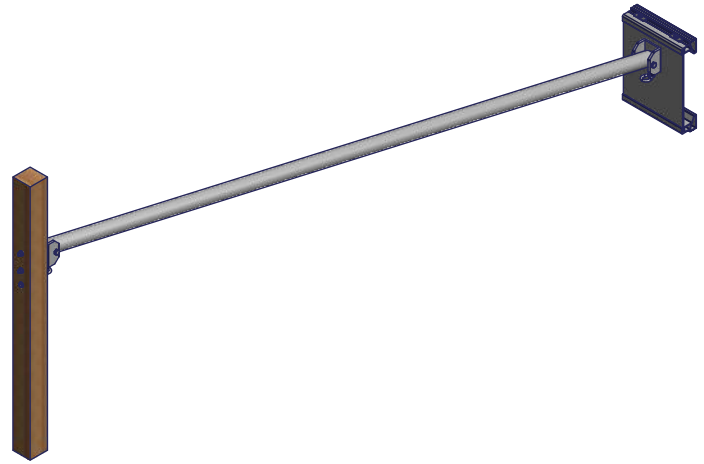


Poly Dock Light Duty Stiff Arm Instructions

Part #: 1006629

Parts List			
ITEM	QTY	PART NUMBER	DESCRIPTION
1	1	1004769	Dock Poly 12" Accessory Connector Bottom
2	1	1003846	Light Duty Stiff Arm Weldment
3	1	1004795	Light Duty Stiff Arm Shore End Channel
--	1	1004503	BOLT BAG POLY DOCK LIGHT DUTY STIFF ARM
4	3	1002441	Bolt Hex 3/8-16 x 4.5 SS 304
5	2	1002384	Bolt Hex 1/2-13 X 4.0
6	8	1002599	Washer Flat 3/8 SS
7	2	1002095	Nut Hex 3/8-16 Eye Galv
8	1	1002419	Bolt Hex 3/8-16 x 1.0 SS 304
9	2	1001805	Nut Nyloc 3/8-16 Brass
10	2	1001795	Nut Nyloc 1/2-13 Brass
--	2	1004512	Poly Connector Rod 13.875 with hardware (composite)
11	1	1007918	Poly Connector Rod 13.875 Composite
12	1	1001026	Washer Rectangular SS 1/8 x 2 x 3/4
13	1	1002606	Washer Lock 5/16 SS
14	1	1001025	Bolt Hex 5/16-18 x 4.5 Full Thread SS 304
15	1	1002566	Screw Oval #12 x 1.0 SS
16	1	--	Wood, Metal or Concrete Post (sold separately)
17	1	--	2" SCH 40 Pipe (sold separately)

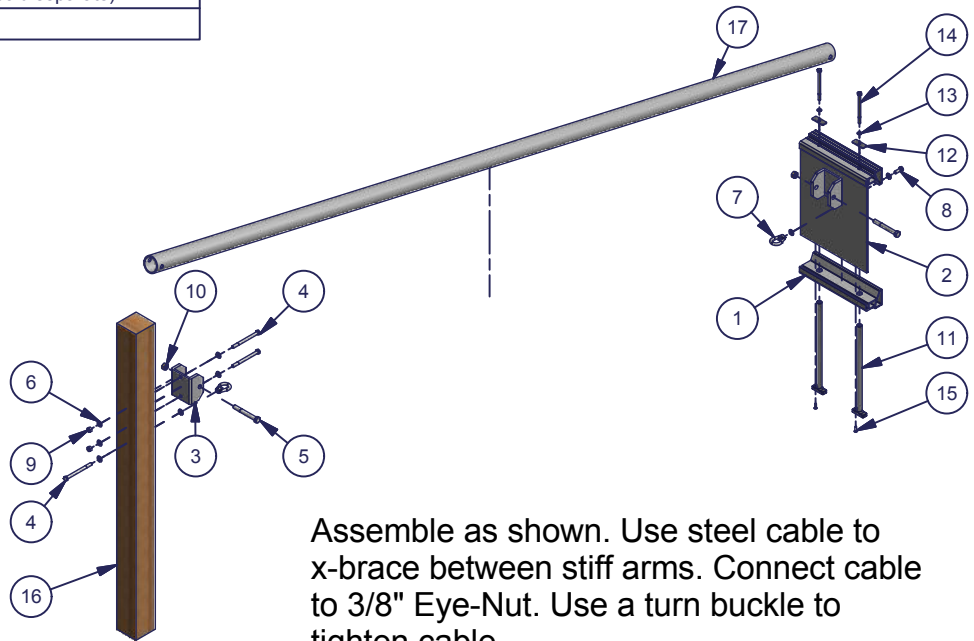


Failure to follow instructions may result in personal injury and may invalidate the applicable warranty.

Step 1. Insert poly connector rods up through bottom connector piece, then place the stiff arm weldment into bottom connector slot, then fit the top connector piece over the stiff arm weldment.

Step 2. Insert 5/16" x 4 hex bolts through 5/16" lock washer, then rectangular washer, and thread through top connector and into poly connector rod. Place in desired location on poly dock and tighten 5/16" hex bolts to 20 ft/lbs.

Step 3. Insert pipe (sold separately) into channel of weldment plate, then secure using 1/2 x 4.0 hex bolt and 1/2 nyloc nut. Attach post (sold separately) to end channel using 3/8 x 4-1/2 hex bolts, 3/8 flat washers, and 3/8 nyloc nuts. Attach post with end channel to pipe using 1/2 x 4.0 hex bolt and 1/2 nyloc nut as shown.



Assemble as shown. Use steel cable to x-brace between stiff arms. Connect cable to 3/8" Eye-Nut. Use a turn buckle to tighten cable.