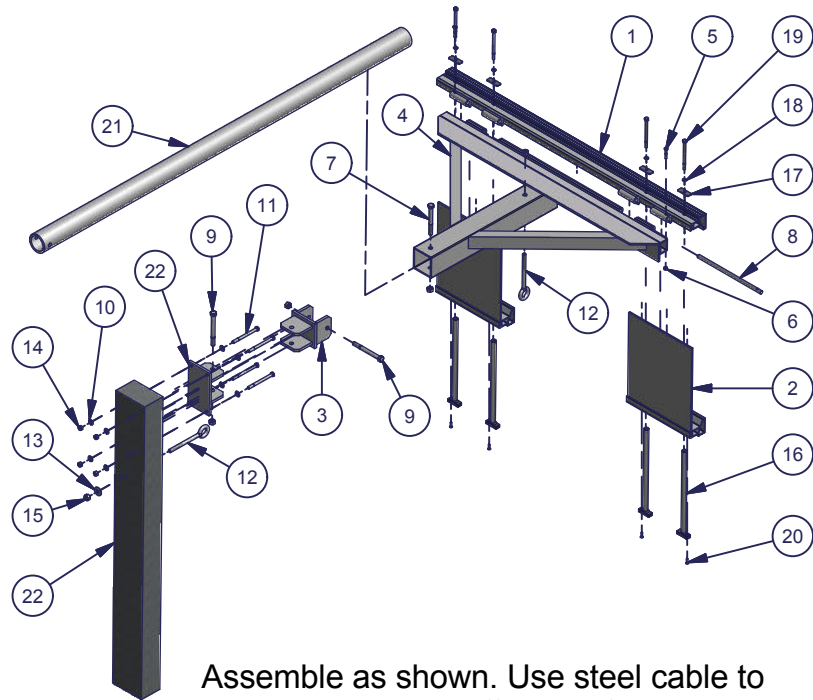


## PolyDock Heavy Duty Stiff-Arm Instructions

Part #: 1006626

Parts List			
ITEM	QTY	PART NUMBER	DESCRIPTION
1	1	1003848	HD Stiff Arm Poly Dock Hinge-A
2	2	1003849	HD Stiff Arm Bottom Connector Weldment
3	1	1001100	HD Stiff Arm Knuckle
4	1	1003847	HD Stiff-Arm A-Frame Weldment
--	1	1004504	Bolt Bag HD Stiff Arm
5	2	1014210	Bolt Hex 1/4-20 x 1.75 SS 304
6	2	1001798	Nut Nyloc 1/4-20 Brass
7	1	1002385	Bolt Hex 1/2-13 x 4.5 SS 304
8	2	1021290	Pin 12.0 W/ Hole - QC Hinge
9	2	1002388	Bolt Hex 1/2-13 x 5.0 SS 304
10	8	1002599	Washer Flat 3/8 SS
11	4	1002441	Bolt Hex 3/8-16 x 4.5 SS 304
12	2	1000438	Bolt Eye 1/2-13 x 6.0 Welded SS 304
13	1	1002565	Washer Flat 1/2 SS
14	4	1001805	Nut Nyloc 3/8-16 Brass
15	5	1001795	Nut Nyloc 1/2-13 Brass
--	4	1004512	Poly Connector Rod with hardware (composite)
16	1	1007918	Poly Connector Rod 13.875 Composite
17	1	1001026	Washer Rectangular SS 1/8 x 2 x 3/4
18	1	1002606	Washer Lock 5/16 SS
19	1	1001025	Bolt Hex 5/16-18 x 4.5 Full Thread SS 304
20	1	1002566	Screw Oval #12 x 1.0 SS
21	1	--	2.5" SCH 80 Pipe (2-7/8" OD) (Sold separately)
22	1	--	Post or Sea Wall (Customer provided)



Assemble as shown. Use steel cable to x-brace between stiff arms. Connect cable to 1/2" Eye-Nut. Use a turn buckle to tighten cable.

Failure to follow instructions may result in personal injury and may invalidate the applicable warranty.

**Step 1.** Insert poly connector rods up through bottom connector weldment, then fit the Dock Hinge-A over the bottom connector weldment.

**Step 2.** Insert 5/16" x 4-1/2" hex bolts through 5/16" lock washer, then rectangular washer, and thread through Dock Hinge-A and into poly connector rod. Place in desired location on poly dock and tighten 5/16" hex bolts to 20 ft/lbs.

**Step 3.** Attach A-Frame Weldment to Dock Hinge-A using 12" pins on each side secured with 1/4" x 1-3/4" hex bolts and 1/4" nyloc nuts.

**Step 4.** Insert pipe (sold separately) into A-Frame weldment, then secure using 1/2" x 4-1/2" hex bolt and 1/2" nyloc nut. Attach post (sold separately) to end channel using 3/8" x 4-1/2" hex bolts, 3/8" flat washers, and 3/8" nyloc nuts. Attach post with end channel to arm knuckle using 1/2" x 5.0" hex bolt and 1/2" nyloc nut, then to pipe end using 1/2" x 5.0" hex bolt and 1/2" nyloc nut as shown.

