

# Bolt On Pivoting Ladder

## Instructions

Part #: 1006596

Parts List			
ITEM	QTY	PART NUMBER	DESCRIPTION
1	1	1005615	Ladder Frame Left
2	1	1005616	Ladder Frame Right
3	3	1005785	Ladder Step
4	12	1001950	Bolt Carriage 1/4 x 3/4
5	12	1001797	Nut 1/4
6	2	1000338	Snap Pin
7	2	1002469	Poly Spacer
8	4	1002599	Washer Flat 3/8 SS
9	2	1001805	Nut 3/8 Nyloc
10	1	1001778	Ladder Pivot Left
11	1	1001779	Ladder Pivot Right
12	2	1002426	Philips Screw 3/8 x 2.0

### Other Ladder Options

- 1006596 Pivoting Ladder 3 Step
- 1006597 Pivoting Ladder 4 Step
- 1006598 Pivoting Ladder 5 Step

Failure to follow instructions may result in personal injury and may invalidate the applicable warranty.

**Step 1.** Attach each Ladder Step to the Left Ladder Frame and the Right Ladder Frame. Secure to Ladder Frame with two 1/4 x 3/4 Carriage Bolts and two 1/4 Nuts - as shown.

**Step 2.** Attach the Right Ladder Frame and Left Ladder Frame each to one Ladder Pivot. Secure with one 3/8 x 2.0 Slotted Round Bolt two Poly Spacers two 3/8 Flat Washers and one 3/8 Nyloc Nut - as shown.

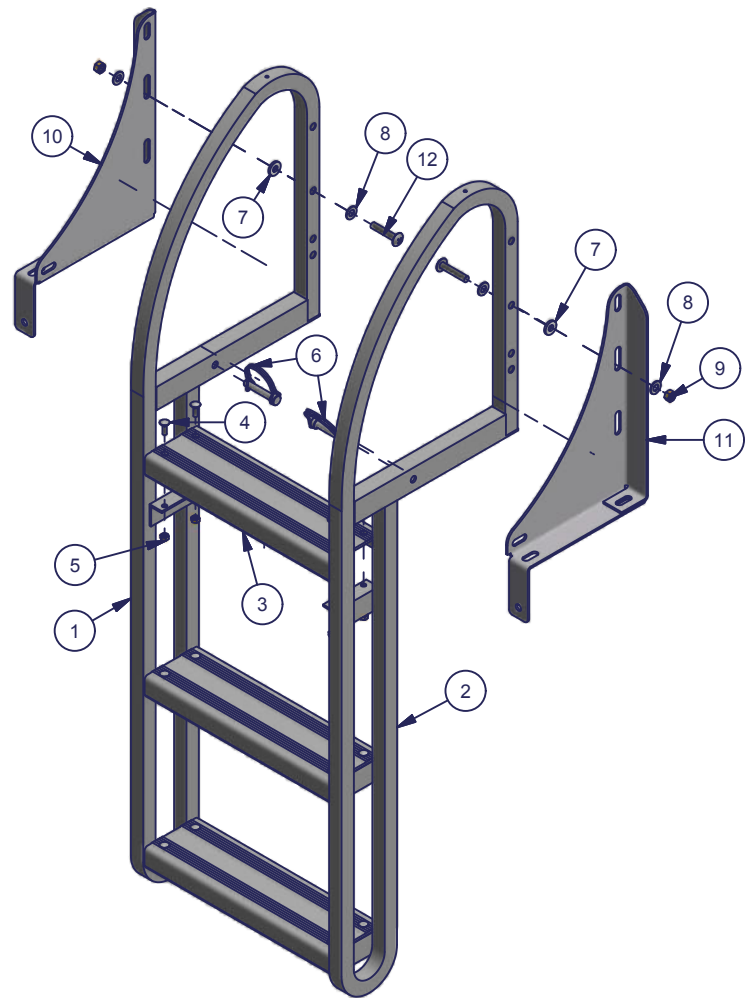
While the ladder is in use secure it down with two Snap Pins (as shown).

**Note:** Nylock nuts should not be reused. If a Nylock nut is removed it must be replaced with a new Nylock nut.

**Note:** If the ladder is to be pivoted to a vertical position, the 3/8" x 2" bolts should go through the middle hole on the ladder pivot bracket and the lower hole on the ladder assembly (as shown).

If the Ladder is to be pivoted to a horizontal position across the dock, the 3/8" x 2" bolt should go through the upper hole on both the ladder pivots and the ladder assembly.

To pivot ladder, snap pins need to be removed.



## Bolt On Pivoting Ladder Mounting Instructions

Part #: 1006596

Parts List			
ITEM	QTY	PART NUMBER	DESCRIPTION
1	4	1002599	Washer Flat 3/8"
2	2	1002439	Bolt Hex 3/8-16 x 4.0 Full Thread SS 304
3	2	1002435	Bolt Hex 3/8-16 x 3.5 Full Thread SS 304
4	4	1001802	Nut Flange 3/8"
5	2	1004624	Backer Plate
6	8	1002576	Wood Screw 1/4" x 1-3/4"

Failure to follow instructions may result in personal injury and may invalidate the applicable warranty.

**Step 1.** Place ladder assembly on dock. Use the holes in the right and left Ladder Pivots, to mark holes to be drilled through deck.

**Note:** When locating ladder on the deck, make sure the cross braces under the deck will not interfere with the installation.

**Step 2.** Attach ladder assembly to deck with two 3/8 x 3 1/2 hex bolts through ladder pivot, deck and ladder pivot, mount with four 3/8 flat washers, two 3/8 flange nuts, and backer plate.

**Step 3.** With ladder assembly secured to the dock, use the lower holes in the ladder pivot as a guide to drill holes in dockside rails.

**Step 4.** Attach lower ladder pivot to side rail with two 3/8 x 4 hex bolts, two 3/8 flat washers and two 3/8 flange nuts (as shown).

**Note:** If the dock has removable deck sections, secure the section of the deck to which the ladder will be attached with eight #14 x 13/4" wood screws.

**Note:** These instructions are for a Shoremaster, pivoting ladder, installed on a Shoremaster Brand dock only. Different hardware may be needed in attaching ladder to another brand of dock.

