

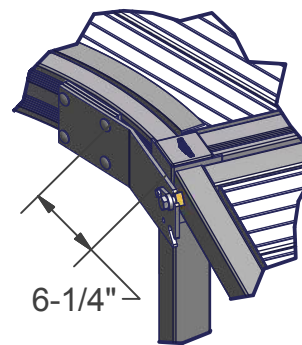
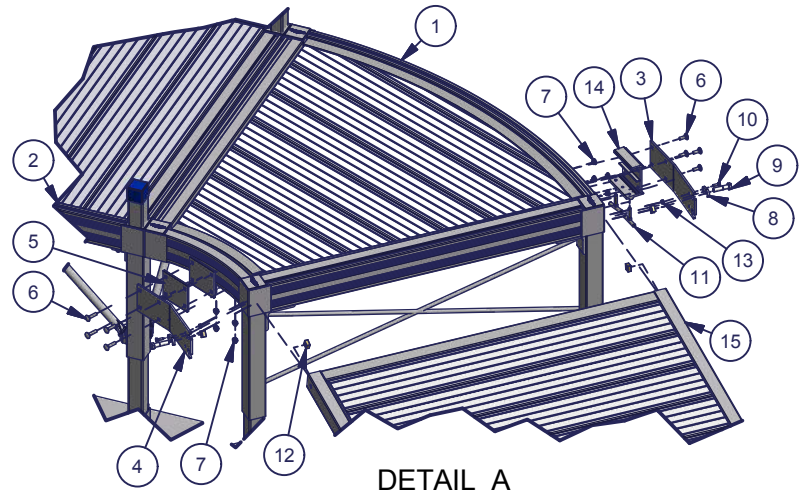
# DOCK ACCESSORIES

## Ramp Connection Kit to 45° Curve Dock

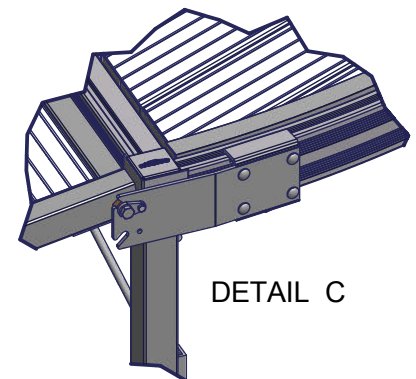
### Instructions

Part #: 1006537

| Parts List |     |             |   |
|------------|-----|-------------|---|
| ITEM       | QTY | PART NUMBER | DESCRIPTION                                     |
| 1          | 1   | --          | RS-4 Curve Dock (sold separately)               |
| 2          | 1   | --          | RS-4 Dock (sold separately)                     |
| --         | 1   | 1006537     | Ramp Connection Kit to 45 Curve Dock            |
| 3          | 1   | 1001124     | Ramp Connection plate-A to 45 curve dock        |
| 4          | 1   | 1001125     | Ramp Connection plate-B to 45 curve dock        |
| 5          | 2   | 1002902     | Prt Plate 4.5 - Accessory Connector             |
| 6          | 4   | 1001957     | Bolt Carriage 3/8-16 X 1.5 SS                   |
| 7          | 4   | 1001802     | Nut Flange 3/8-16 Brass                         |
| 8          | 2   | 1001092     | Ramp Clip (In Ramp Bolt Bag)                    |
| 9          | 2   | 1002379     | BOLT 1/2 - 13 X 2 SS (In Ramp Bolt Bag)         |
| 10         | 2   | 1000557     | Bolt Hex 1/4-20 x .75 SS 304 (In Ramp Bolt Bag) |
| 11         | 1   | 1000876     | T Handle 3/8-16 x 1.5x2.5 (In Ramp Bolt Bag)    |
| 12         | 4   | 1001793     | NUT SQUARE 1/2 - 13 BRASS (In Ramp Bolt Bag)    |
| 13         | 2   | 1001798     | NUT 1/4 - 20 NYLOC BRASS (In Ramp Bolt Bag)     |
| 14         | 1   | 1006706     | RS-4 Accessory Bracket (sold separately)        |
| 15         | 1   | --          | Ramp (sold separately)                          |



DETAIL B



DETAIL C

Failure to follow instructions may result in personal injury and may invalidate the applicable warranty.

**Step 1.** Assemble side of ramp that will use the accessory bracket by following the instructions that are included with the ramp.

**Step 2.** Assemble opposite side of ramp connection by placing one of the accessory connector plates so it is positioned 6-1/4" back from the end of the dock section (as shown in Detail B). Mark and drill four 7/16" holes for the plate through the dock frame.

**Step 3.** Bolt Connection Plate-B to dock frame using four carriage bolts two accessory plates four spacers and four flange nuts.

**Step 4.** Finish assembly of ramp according to ramp instructions.