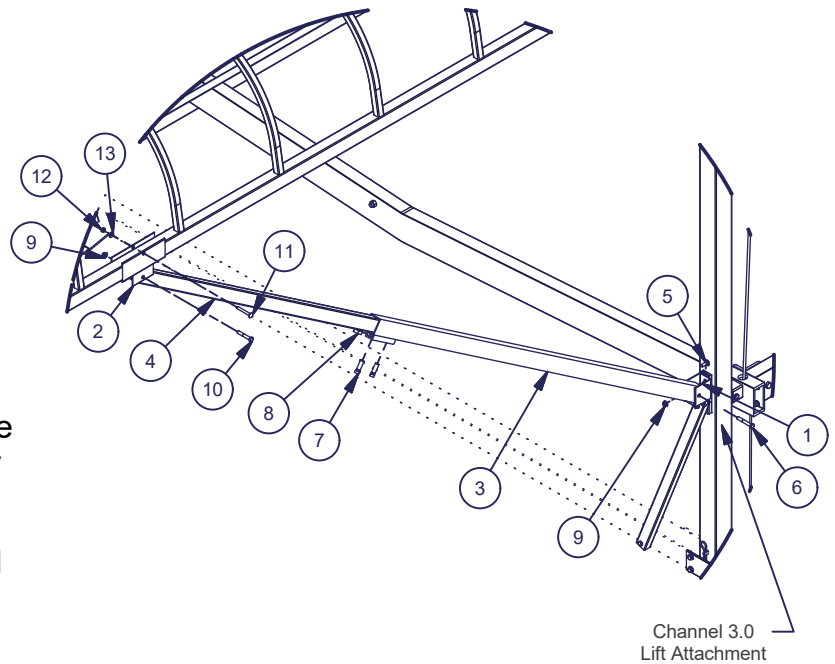
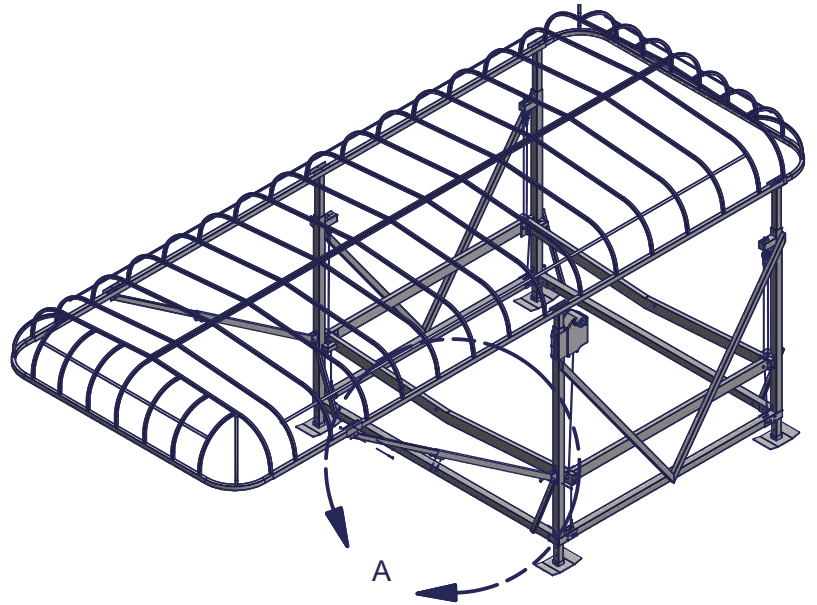


Canopy Brace

Instructions

Part #: 1006021

| Parts List | | | |
|------------|-----|-------------|---|
| ITEM | QTY | PART NUMBER | DESCRIPTION |
| -- | 1 | 1006021 | Canopy Brace Complete |
| 1 | 2 | 1004325 | Prt Channel 3.0 - Canopy Brace Bracket |
| 2 | 2 | 1005670 | Wdmt Canopy Brace Channel |
| 3 | 2 | 1005714 | Wdmt Canopy Brace Large Tube - 72.0 |
| 4 | 2 | 1005024 | Prt Tube 108.0 - Drilled |
| -- | 1 | 1006022 | Bolt Bag Canopy Brace |
| 5 | 4 | 1001956 | Bolt Carriage 3/8-16 x 1.0 SS 304 |
| 6 | 2 | 1002427 | Bolt Hex 3/8-16 x 2.5 SS 304 |
| 7 | 4 | 1002558 | Set Screw 1/2-13 x 1.5 SS 304 Cup Point |
| 8 | 4 | 1001793 | Nut Square 1/2-13 Brass |
| 9 | 8 | 1001802 | Nut Flange 3/8-16 Brass |
| 10 | 2 | 1002429 | Bolt Hex 3/8-16 x 2.25 SS 304 |
| 11 | 2 | 1001970 | Bolt Carriage 5/16-18 x 2.5 SS 304 |
| 12 | 2 | 1001807 | Nut Hex 5/16-18 Brass |
| 13 | 2 | 1002608 | Washer Flat 5/16 SS |



Failure to follow instructions may result in personal injury and may invalidate the applicable warranty.

Step 1. Attach channel 3.0 lift attachment to lift leg using 3/8 x 1 carriage bolts and flange nuts.

Note: Some early model lifts may not have a welded channel on the lift leg. In this case the channel will need to be bolted to the lift leg. Make sure not to attach the channel to the leg in a way that interferes with the lift movement.

Step 2. Attach telescoping assembly to channel 3.0 using 3/8 x 2-1/2 hex bolt and 3/8 flange nut.

Step 3. Slide tube 108.0 into telescoping assembly about 1' and secure with 1/2 x 1-1/2 set screws and 1/2 square nuts.

Step 4. Attach canopy brace bracket to tube 108.0 using 3/8 x 2-1/4 hex bolt and 3/8 flange nut.

Step 5. Attach canopy brace bracket to canopy frame using 5/16 x 2-1/2 carriage bolt, 5/16 flat washer and 5/16 hex nut.

Note: Canopy brace required on all canopy frames larger than 25'.

Note: When installing canopy braces on a hydraulic lift using hydraulic canopy leg pockets, drill a 7/16" hole through the canopy leg pockets 30-1/2" from top of plate on bottom of canopy leg pocket. Insert a 3/8 x 3-1/2" bolt through the canopy leg pocket and into the channel 3.0 lift attachment. Secure in place using 3/8 brass flange nuts.