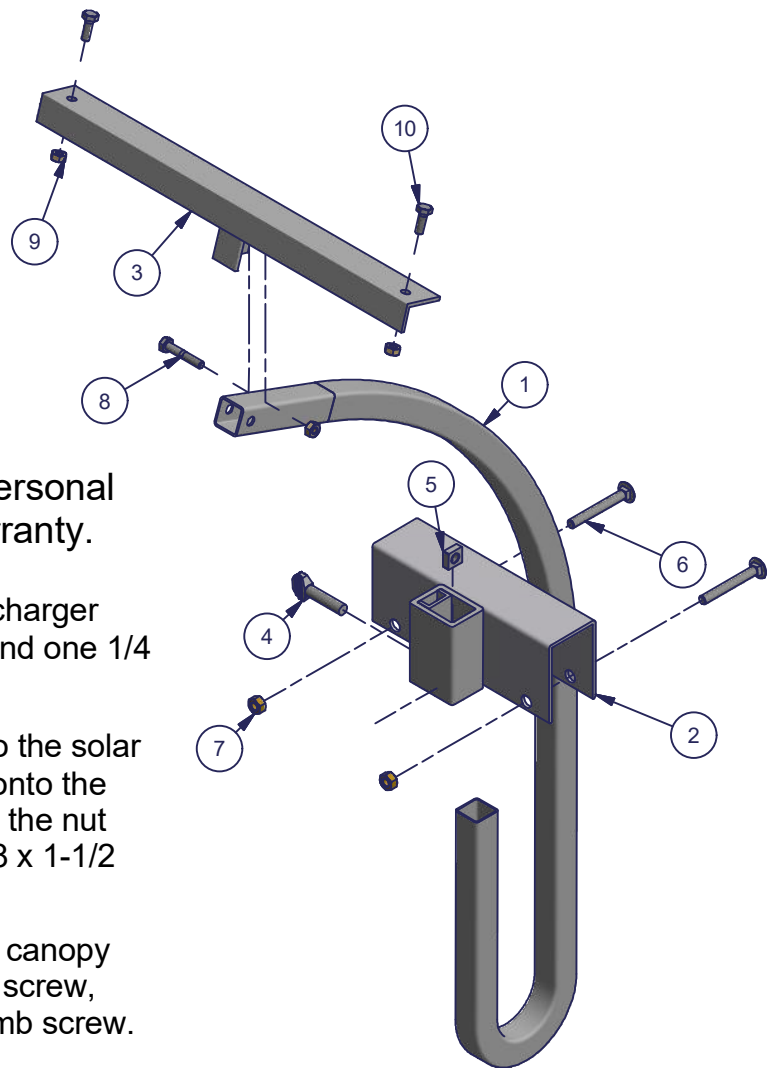


Solar Panel Canopy Mount

Instructions

Part #: 1004282

Parts List			
ITEM	QTY	PART NUMBER	DESCRIPTION
1	1	1003106	Solar Charger Canopy Bent Frame
2	1	1003748	Solar Charger Canopy Bracket
3	1	1019823	Solar Panel Mount - Power Up 10 Watt
--	1	1004514	Bolt Bag
4	1	1002421	Thumb Screw 3/8 X 1 1/2
5	1	1035212	Nut 3/8 Square
6	2	1001970	Carriage Bolt 5/16 X 2 1/2
7	2	1001807	Nut 5/16
8	1	1014210	Bolt Hex 1/4 X 1.75
9	3	1001798	Nut Nyloc 1/4
10	2	1000557	Bolt Hex 1/4 X .75



Failure to follow instructions may result in personal injury and may invalidate the applicable warranty.

Step 1. Attach the solar panel mount to the solar charger canopy bent frame using one 1/4 x 1-3/4 hex bolt and one 1/4 hex nut as shown.

Step 2. Attach the solar charger canopy bracket to the solar charger canopy bent frame by placing the bracket onto the frame as shown, then insert the 3/8 square nut into the nut clip of the bracket and secure in place using the 3/8 x 1-1/2 thumb screw.

Note: Once solar canopy mount is mounted on the canopy the height can be adjusted by loosening the thumb screw, adjusting to desire height, and retightening the thumb screw.

Step 3. Attach the solar panel to the solar panel mount using two 1/4 x 3/4 hex bolts and two 1/4 hex nuts as shown.

Step 4. Place the canopy bracket with the mounting assembly over the canopy frame and secure in desired location using two 5/16 x 2-1/2 carriage bolts and two 5/16 hex nuts.

Note: Carriage Bolt heads must be positioned on the outside of the canopy - as shown.