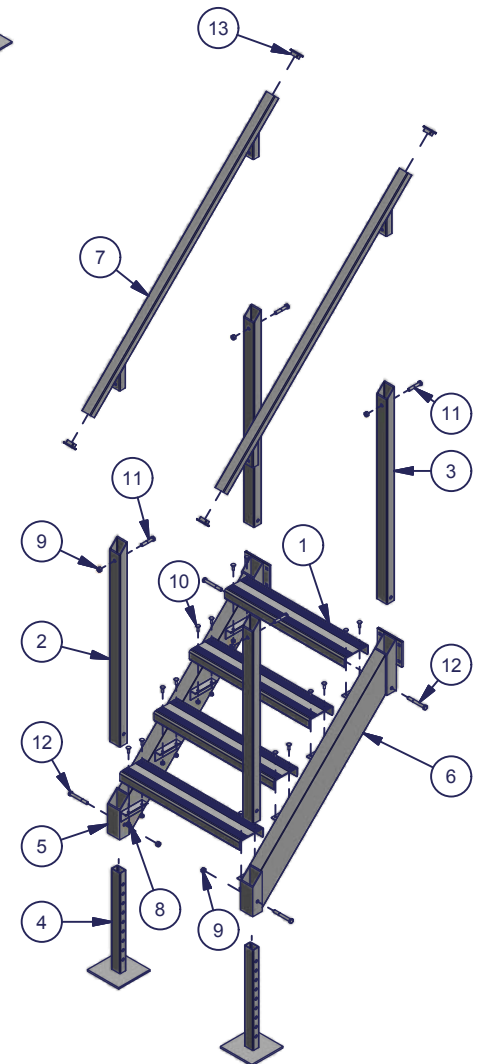


4-Step Dock Steps Assembly

Instructions

Part #: 1004263

Parts List			
ITEM	QTY	PART NUMBER	DESCRIPTION
1	4	1004549	Step
2	2	1004985	Bottom Upright 32.0
3	2	1004989	Top Upright 34.0
4	2	1005679	Leg
5	1	1003784	Left Stringer
6	1	1003783	Right Stringer
7	2	1003844	Handrail 4 Step
-	1	1004442	Bolt Bag
8	16	1001797	Nut 1/4
9	8	1001803	Nut 3/8
10	16	1001950	Carriage Bolt 1/4 x .75
11	4	1002424	Bolt 3/8 x 2.0
12	4	1002432	Bolt 3/8 x 3.0
13	4	1000986	Press-In Cap



Failure to follow instructions may result in personal injury and may invalidate the applicable warranty.

Note: There are three different types of accessory brackets that the steps can be attached to in order to be attached to your dock. You will need two accessory brackets for the installation. Below is a list of the three different types of brackets.

Dock Type	Bracket Part Number
RS4 Dock	1006706
RS7 Dock	1006708
TS9 Dock	1006730

Note: In order to attach dock steps to a dock not listed above use two 3/8" x 3-1/2" carriage bolts and two 3/8" flange nuts (provided).

Step 1. Attach steps to right and left stringer using 1/4 x 3/4 carriage bolts and 1/4 hex nuts provided.

Step 2. Insert top uprights into top pockets of stringer and secure on the bottom using 3/8 x 3 hex bolts and 3/8 hex nuts.

Step 3. Insert bottom uprights into bottom pockets of stringers, fully insert legs into stringer pockets and bottom uprights, secure the uprights and legs using 3/8 x 3 hex bolt and 3/8 hex nut. (adjust height of legs after connecting stairs to dock frame.)

Step 4. Connect stairs to accessory brackets using carriage bolts and nuts. (see accessory bracket instructions.)