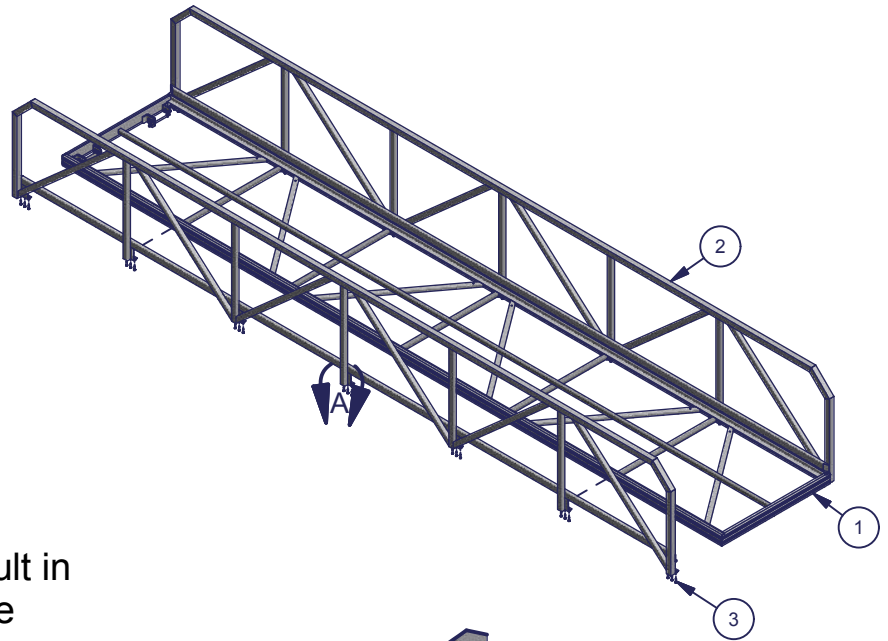


Gangway Bundle Instructions

Part #: 1003960 - Gangway 4' x 16'

Part #: 1003961 - Gangway 4' x 20'

Part #: 1003962 - Gangway 4' x 24'



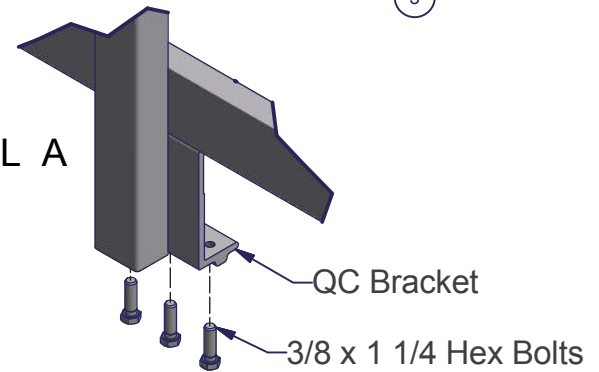
| Parts List | | | |
|------------|-----|-------------|-------------------------------|
| ITEM | QTY | PART NUMBER | DESCRIPTION |
| 1 | 1 | 1003706 | Platform Frame 4 x 24 (Shown) |
| - | 1 | 1003705 | Platform Frame 4 x 20 |
| - | 1 | 1003704 | Platform Frame 4 x 16 |
| 2 | 2 | 1003709 | Handrail Frame 4 x 24 (Shown) |
| - | 1 | 1003708 | Handrail Frame 4 x 20 |
| - | 1 | 1003707 | Handrail Frame 4 x 16 |
| 3 | 42 | 1002422 | Bolt 3/8 x 1.25 |

Failure to follow instructions may result in personal injury and may invalidate the applicable warranty.

16ft and 20ft Gangways will have bolts left over.

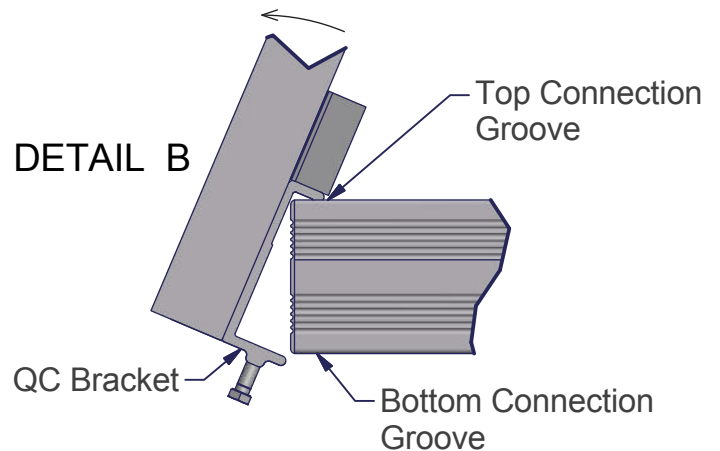
Step 1. Thread one 3/8 x 1 1/4 Hex Bolt into each of the holes on the QC (Quick-Connect) Brackets of the Handrail Frame - as shown in Detail A.

DETAIL A



Step 2. Place the QC Brackets into the Top Connection Groove of the Platform Frame and pivot the Handrail Frame outward - as shown in Detail B.

DETAIL B



Step 3. Secure the Handrail in place by tightening all of the 3/8 x 1 1/4 Hex Bolts into the Bottom Connection Groove of the Platform Frame.

